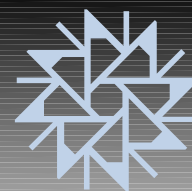




STRAIGHT SQUARE POLES

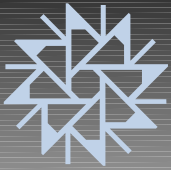
NOVA POLE
INTERNATIONAL INC



19433 96th Avenue
Surrey, British Columbia
Canada V4N 4C4

Phone: 604-881-0090
Fax: 604-881-0008

www.novapole.com
email: sales@novapole.com



General Specifications

Design

All Nova Pole designs will withstand a gusted wind velocity of 100 MPH (160 km/hr) acting upon the structure with its appropriate fittings (signs, signals and luminaires). Loads and structural dimensions are in accordance with the latest edition of the National Building Code of Canada.

Materials

All materials utilized by Nova Pole meet or exceed C.S.A. standards. Poles are produced using steel, "self-weathering" steel and aluminum.

Welding

All welding done by Nova Pole conforms to C.S.A. Standard W59. Any circumferential welds are 100% penetration with some shaft to baseplates jointed with inside and outside fillet welds, and longitudinal welds have a minimum penetration of 60%.

Finishes

All welders employed by Nova Pole are qualified in compliance to C.S.A. Standards W47 and are approved by the Canadian Welding Bureau.

There are four finishes available for the Tubular Poles:

- 1) Prime Paint
- 2) Enamel Paint
- 3) Hot Dip Galvanizing
- 4) Powder Coat
- 5) Powder Coat over Hot Dip Galvanizing

Accessories

Anchor Bolts

- Available in 24" x 3/4", 36" x 1", 48" x 1 1/4" and 54" x 1 1/2"
- Hot dip galvanized
- Supplied as optional product
- Standard re-Bar conforming to C.S.A. Standard CAN/CSA - G30.18-M Grade 400 for 24" X 3/4". Higher grades for larger sizes.
- Supplied with hexagon nut and washer

Nut & Bolt Cover

- Supplied with pole. Designed to fit 1", 1 1/4" and 1 1/2" bolts.
- High strength polyurethane
- Available in colours

Handhole

- Pole is supplied with 4" x 7" handhole, grounding stud and handhole cover

The standard tenon size is 2 3/8" O.D. by 7" long.

Any designs not shown in this catalogue can be produced by Nova Pole International and inquiries should be communicated to company representatives.

Approval drawings are available on request.

All measurements shown here are imperial measure (inches, square inches and feet) unless otherwise noted.

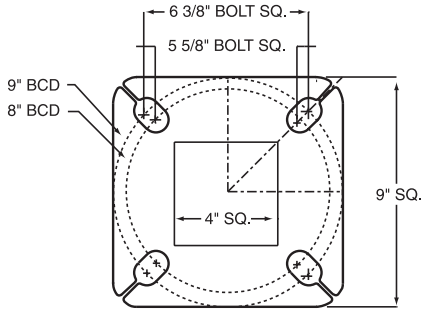
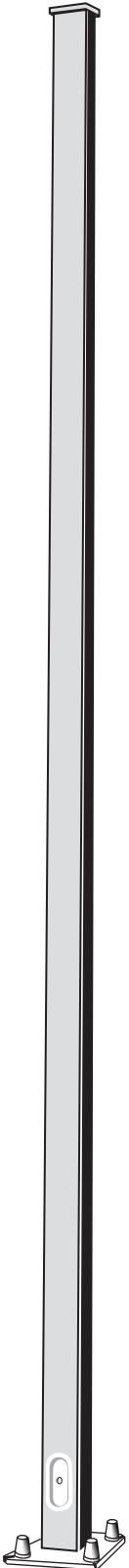
Tenon
Special Orders

Approval Drawings
Measure

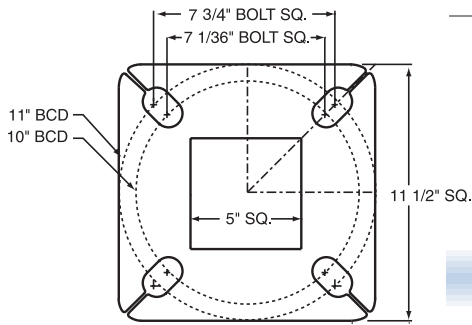




STRAIGHT SQUARE



A



B



SPECIFICATIONS

Prod. Code	Height	Weight	Fixture E.P.A @100 mph	Anchor Bolt Size	BasePlate Detail
NSS48	8	67	18.7	3/4 X 24	A
NSS410	10	76	17.5	3/4 X 24	A
NSS412	12	88	15.0	3/4 X 24	A
NSS415	15	105	9.9	3/4 X 24	A
NSS418	18	124	5.4	3/4 X 24	A
NSS420	20	137	4.9	3/4 X 24	A
NSS424	24	165	4.0	3/4 X 24	A
NSS520	20	185	11.0	1 x 36	B
NSS524	24	328	5.5	1 x 36	B
NSS530	30	388	2.5	1 x 36	B

* Standard tenon - 2 3/8" x 7" long

* Drilling allowance and top cap can also be provided

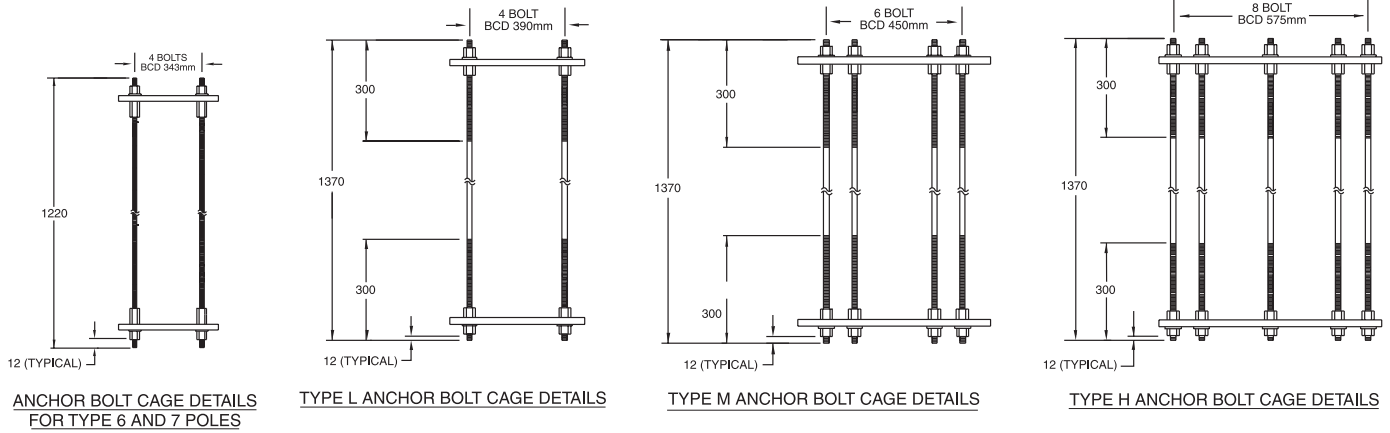
* Please specify at time of order

* Contact factory for larger sizes

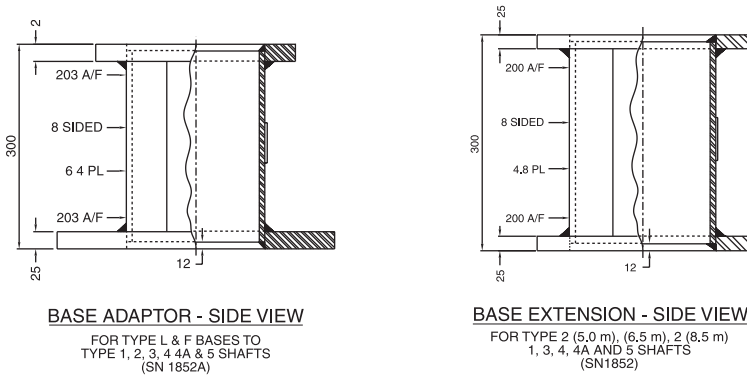




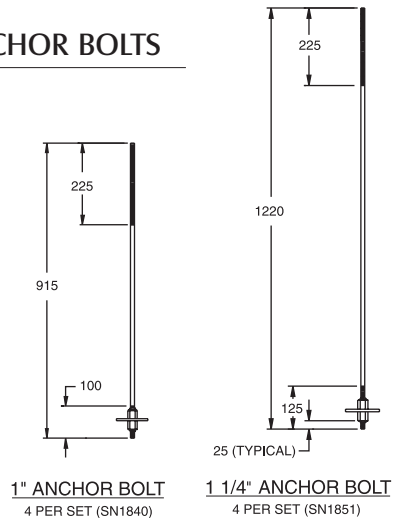
ANCHOR BOLT CAGES



BASE ADAPTOR/EXTENSION



ANCHOR BOLTS



BIRD GUARD

Protect your luminaire and pole investments from acidic excrement left by birds!

This non-conductive polycarbonate Bird Guard comes with U.V. inhibitors; it is manufactured in 2'0" strips and is clear in colour.

The Bird Guard includes mounting feet for screw application or it can be mounted with an adhesive cement. The standard width is 7" and it is flexible enough to be installed on curved surfaces.

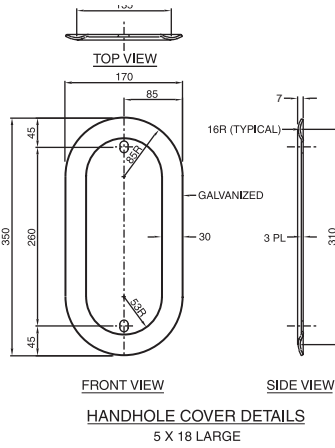
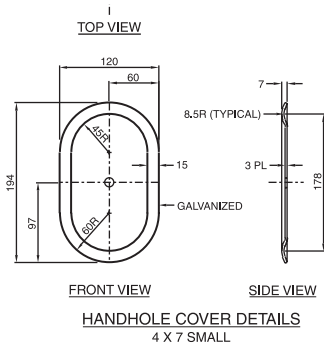


PLEASE NOTE:
SOME MEASUREMENTS SHOWN ARE METRIC

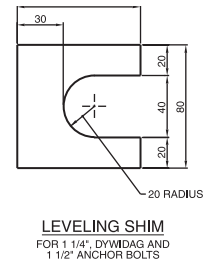
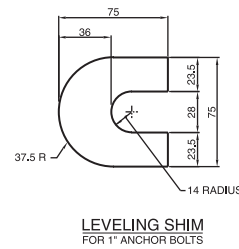




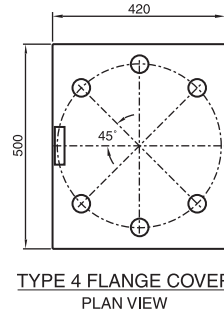
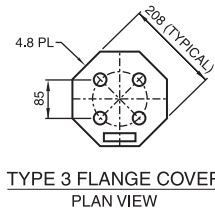
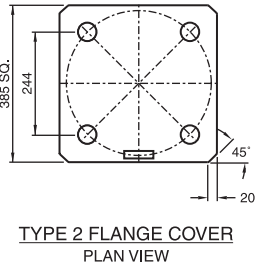
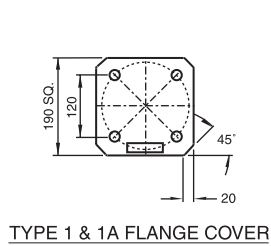
HANDHOLE COVERS



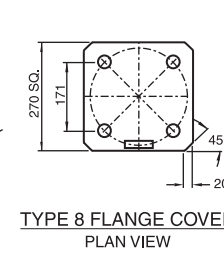
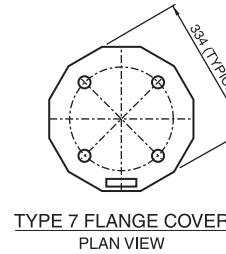
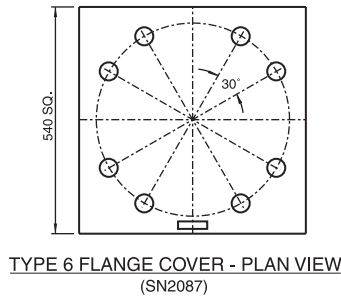
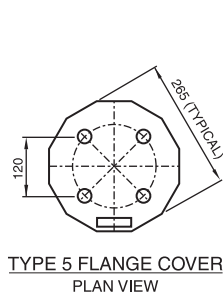
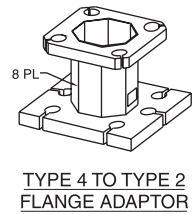
LEVELING SHIMS



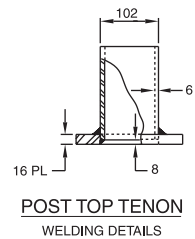
FLANGE COVERS



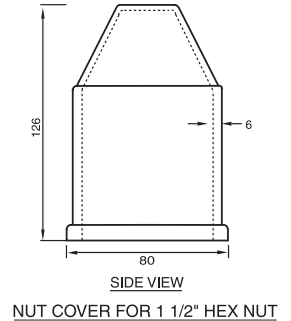
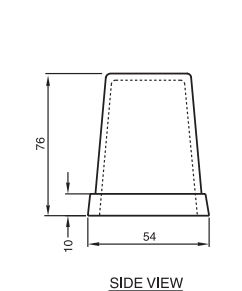
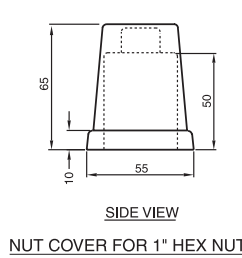
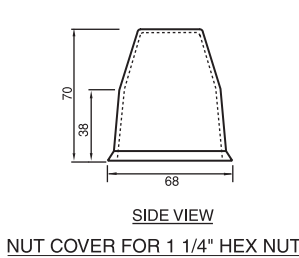
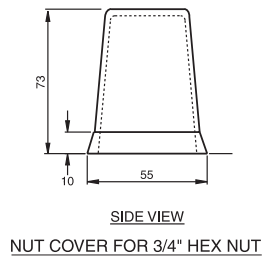
FLANGE ADAPTORS



POST TOP TENON



NUT COVERS

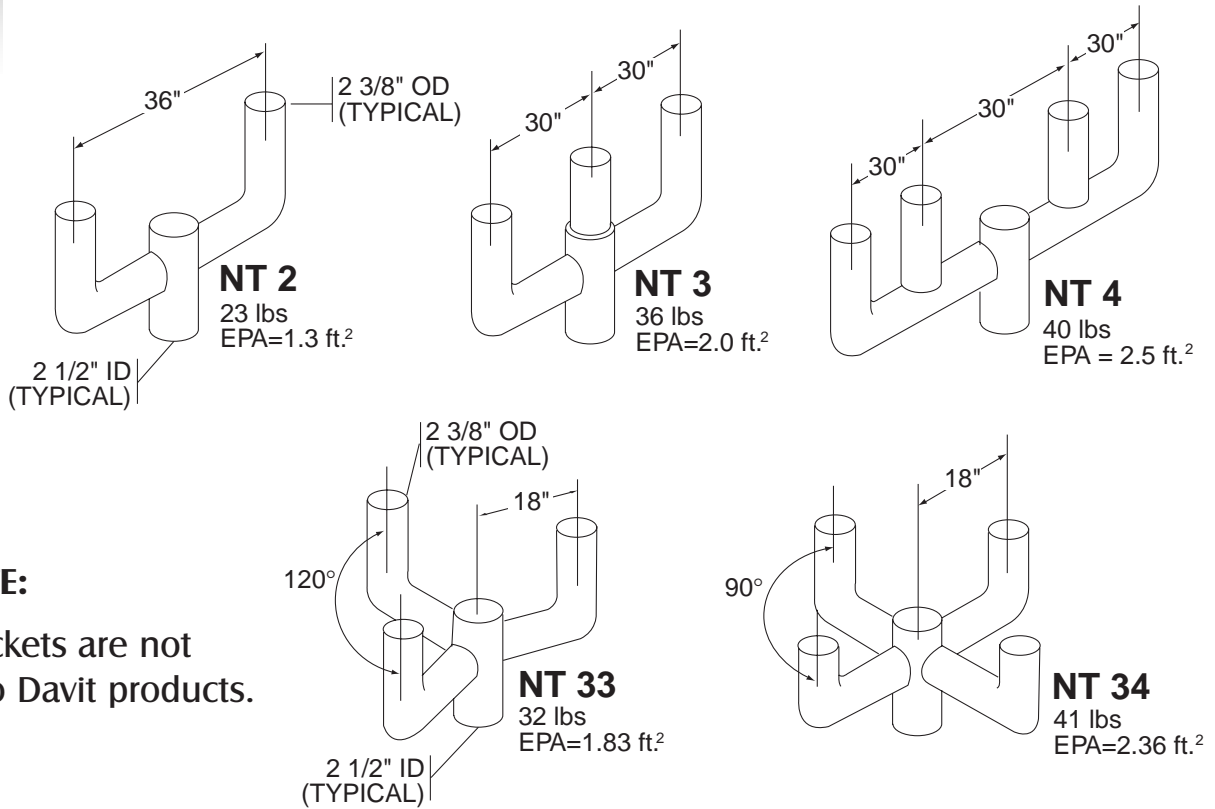
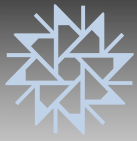


PLEASE NOTE:
SOME MEASUREMENTS SHOWN ARE METRIC



NUT COVER FOR 1" HEX NUT
A307 LIGHT DUTY

NUT COVER FOR 1 1/2" HEX NUT



PLEASE NOTE:

These 5 brackets are not applicable to Davit products.

Banner Arms

Nova Pole can offer a modular banner arm system. The heavy duty cast bracket can be bolted on or held in place by band-it materials. The bracket offers quick change out features so that the standard 33" long banner arm can be removed and replaced with a flag holder or a flower pot holder for those special parades or functions.

