



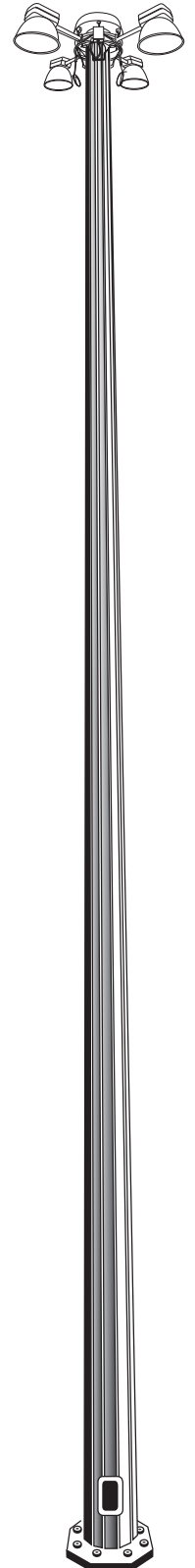
HIGH MAST

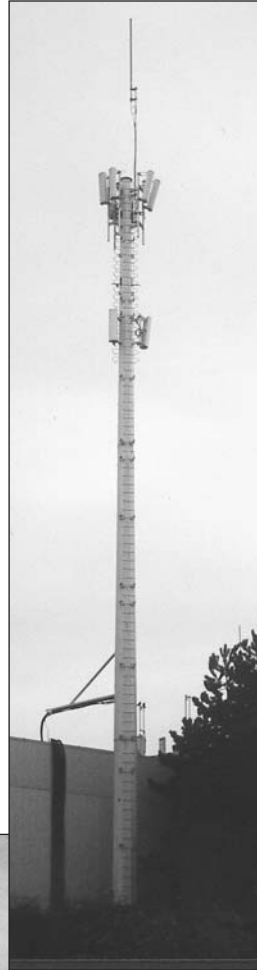
Nova Pole High mast structures are engineered for applications where reliability and ease of service are primary considerations. High mast lighting systems are excellent for illuminating large outdoor areas such as:

- Highways
- Interchanges
- Prison Yards
- Railway Yards
- Ports
- Airports
- Parking Lots
- Industrial Plants
- Freight Yards and many more applications.

Nova Pole is proud to offer high quality top latching and bottom latching (non-latching) lifting mechanisms. The polygonal poles are designed for specific applications and are shipped in sections with slip-fitting connections for ease of handling and installation. Shaft sections are designed in accordance with the latest edition of American Association of State Highway and Transportation Officials (AASHTO).

Please call Nova Pole with your high mast requirements and we will be happy to assist you with your project.





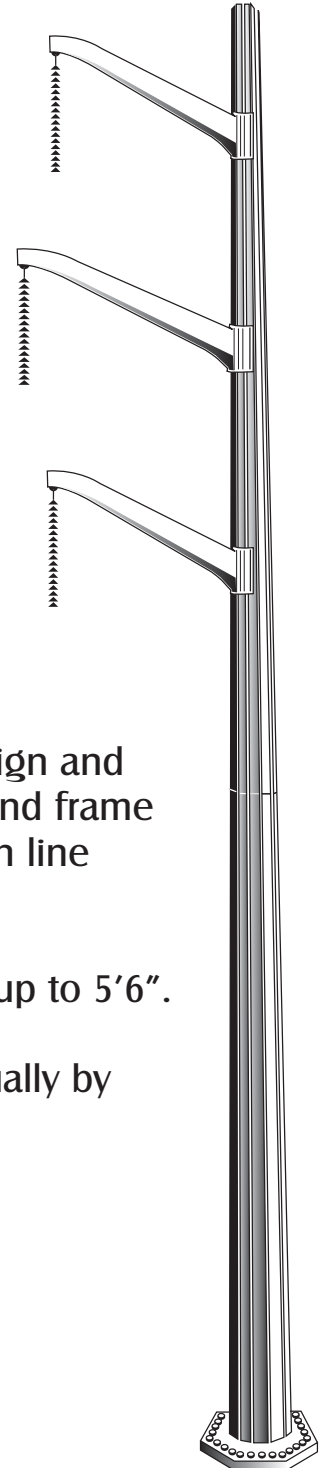
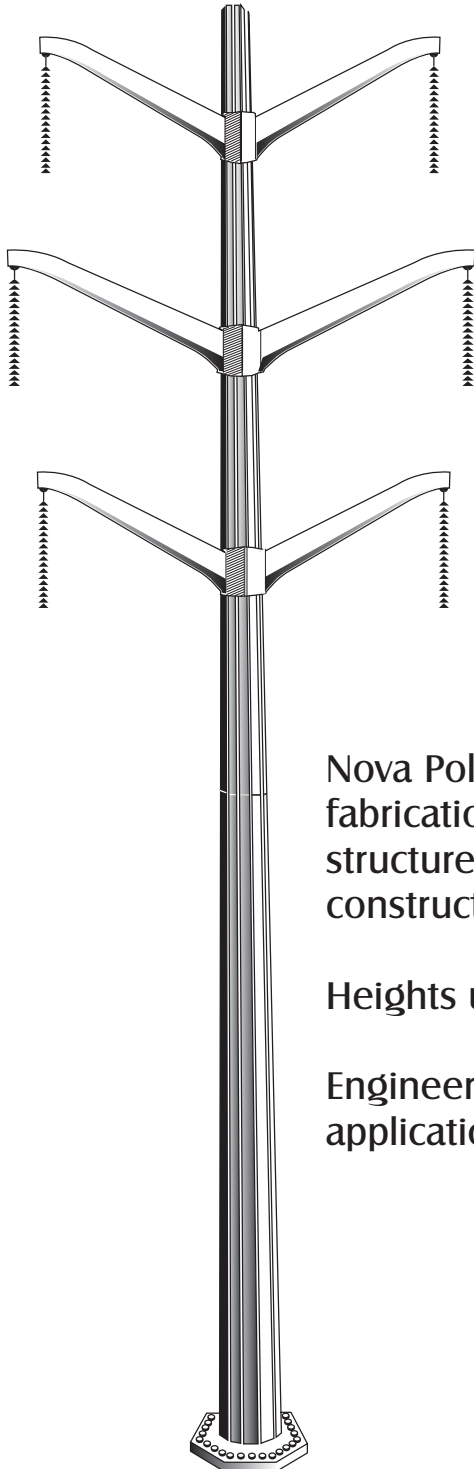
Nova Pole is experienced in designing and fabricating different types of cellular towers.

Our engineers use the latest releases of AutoCad to help prepare drawings. Please contact our engineering department with your specifications.





TRANSMISSION POLES



Nova Pole offers engineering, design and fabrication of all monolithic pole and frame structures required for transmission line construction.

Heights up to 200' and diameters up to 5'6".

Engineering data supplied individually by application.