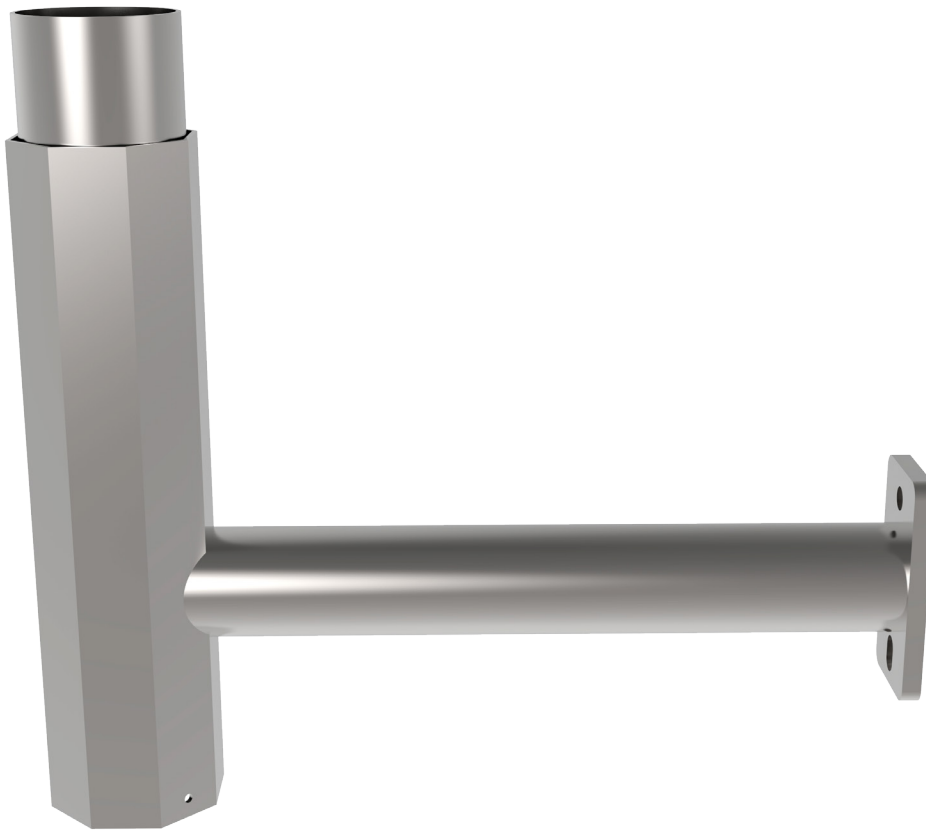


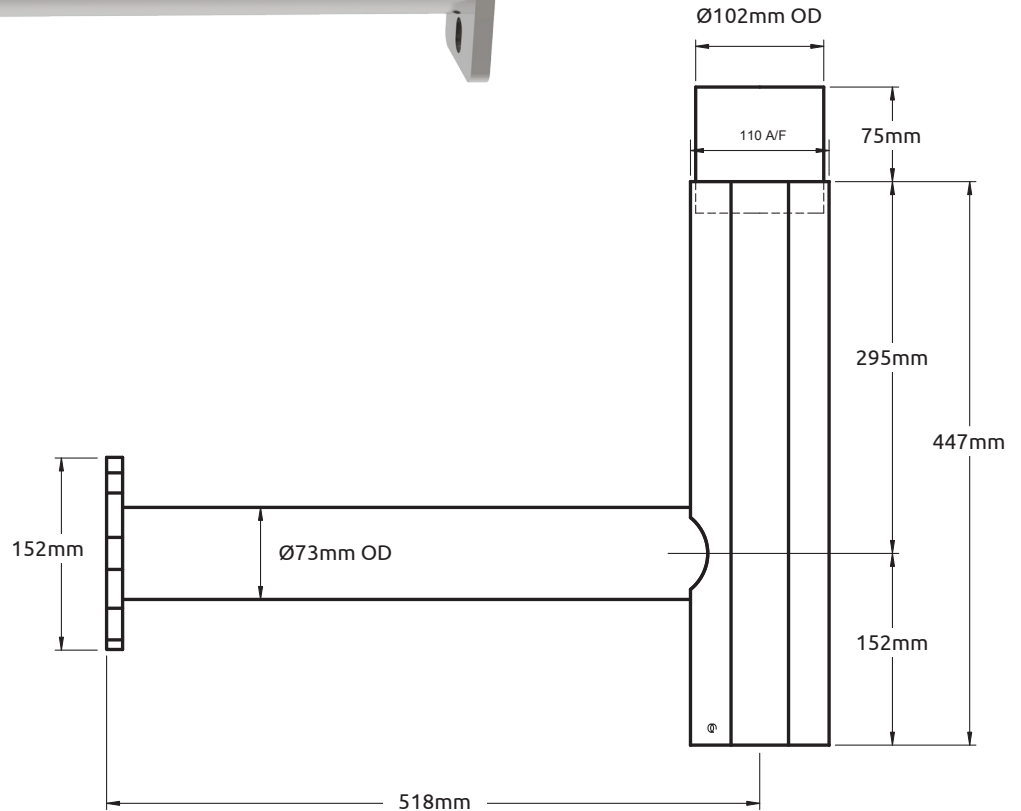
## Westminster



### Pedestrian Arm

Part #: [S15-55-CNW-A001](#)

TOTAL WEIGHT (KG): 7.21



# Size Chart

