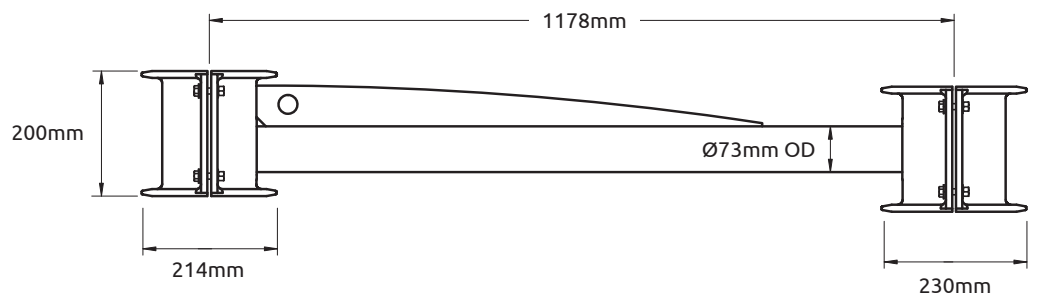
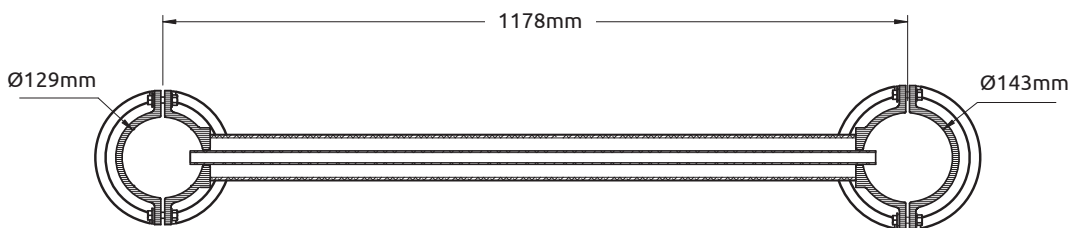
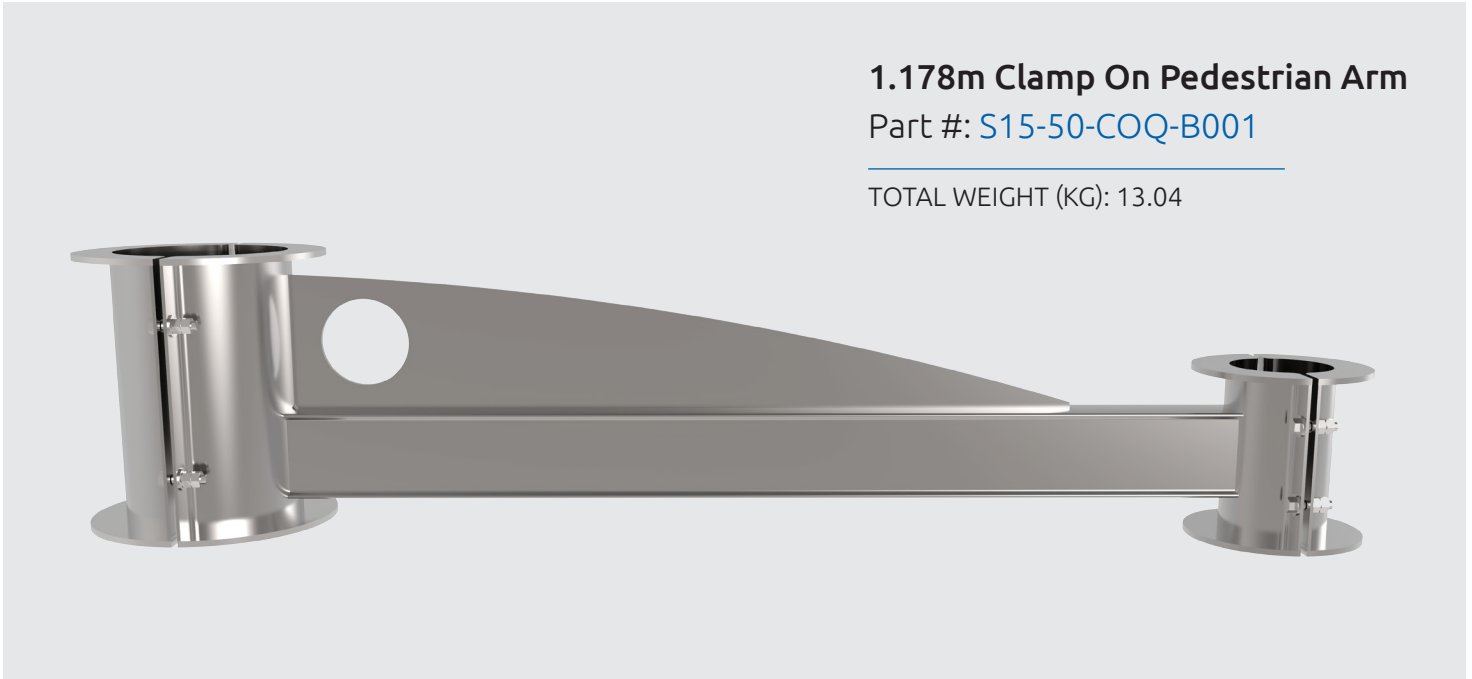


Riverside

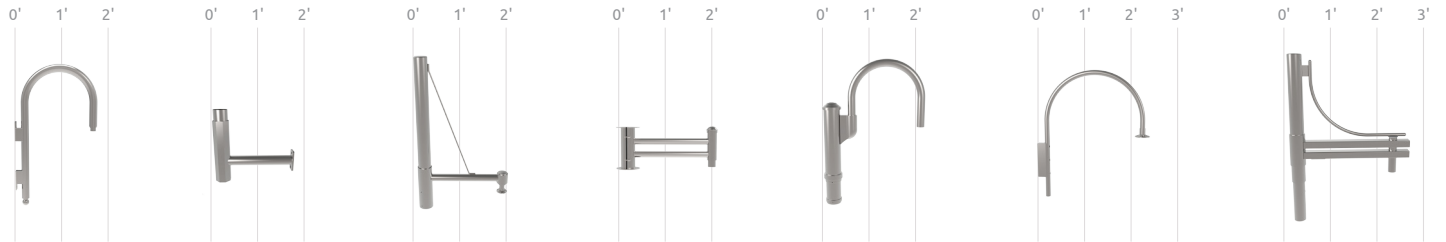
1.178m Clamp On Pedestrian Arm

Part #: [S15-50-COQ-B001](#)

TOTAL WEIGHT (KG): 13.04



Size Chart



Shepherd 2

Westminster

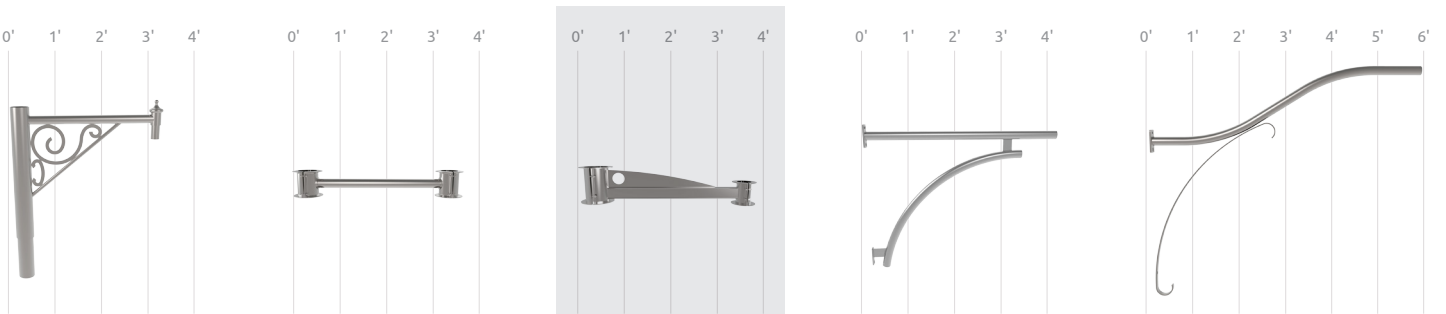
Long Bay

Ponderosa

Shepherd 3

Shepherd 1

Marina



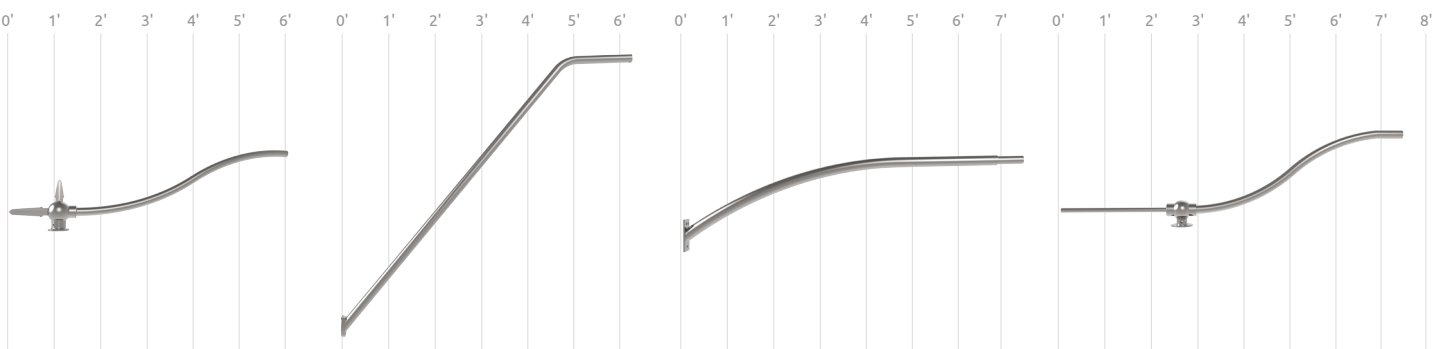
Vernon

Burke

Riverside

Heritage

Hodgson

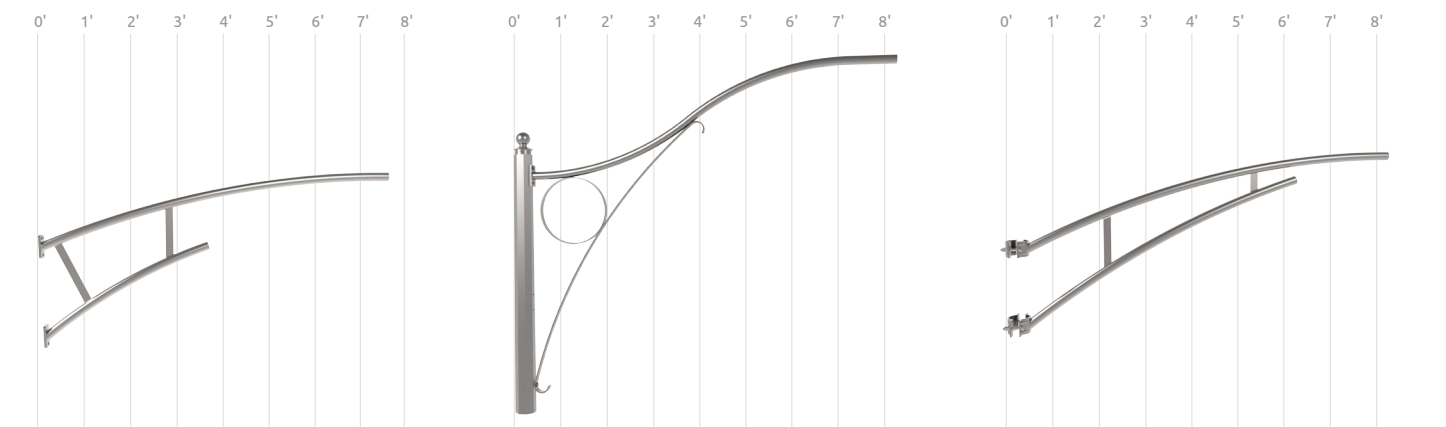


Scroll 2

Kansas

Lima

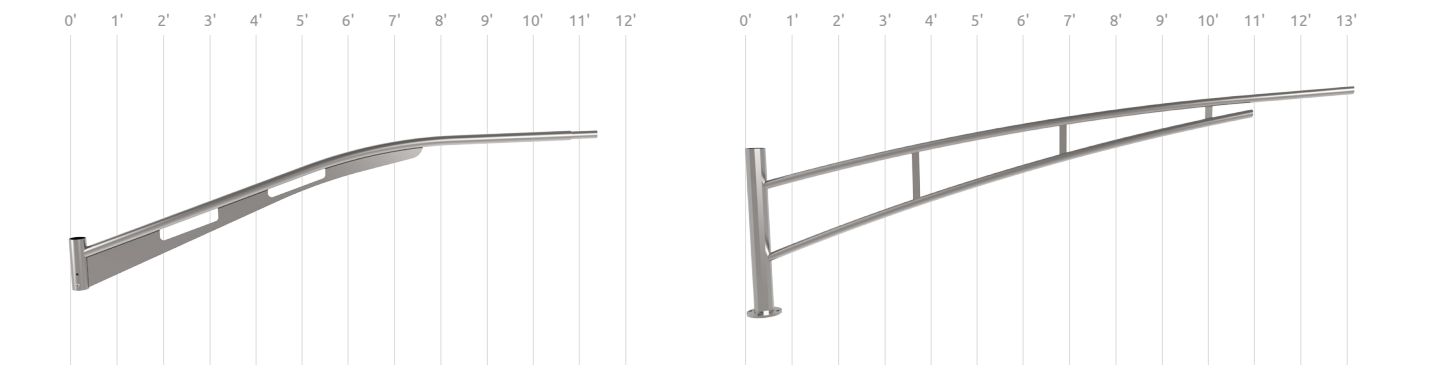
Bronte



Newport

Scroll 1

Truss 1



Gullwing

Truss 2