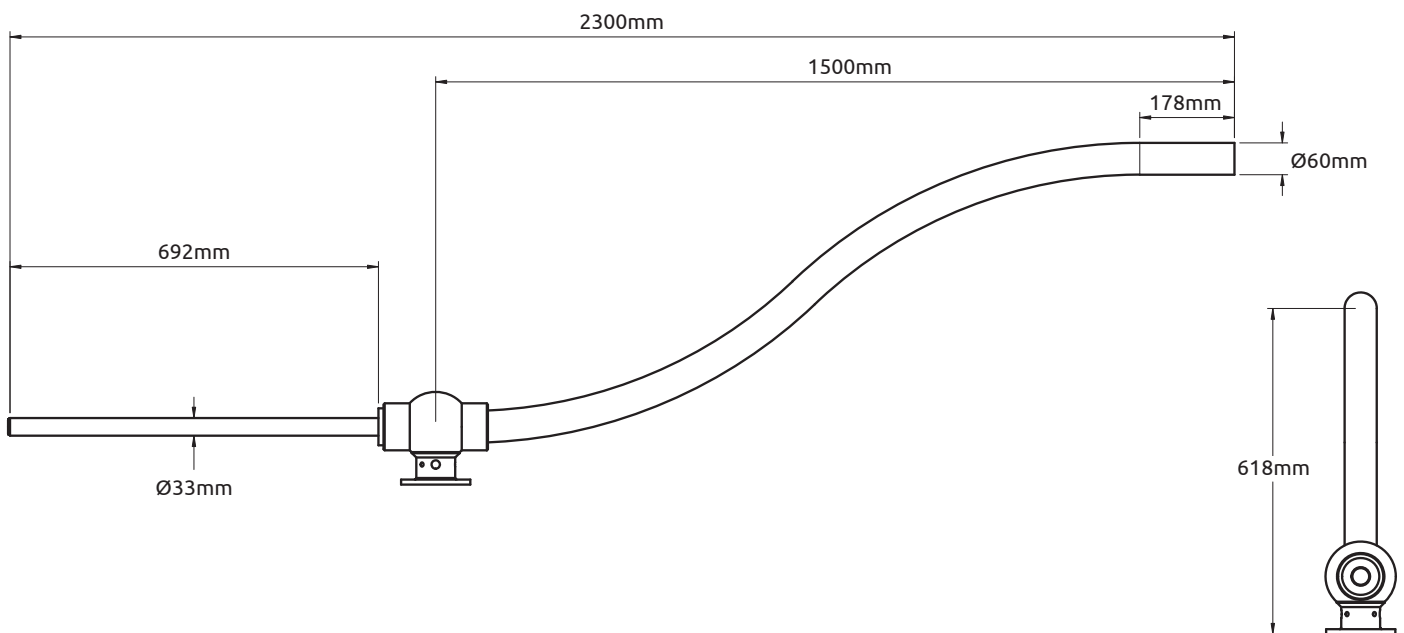


Bronte

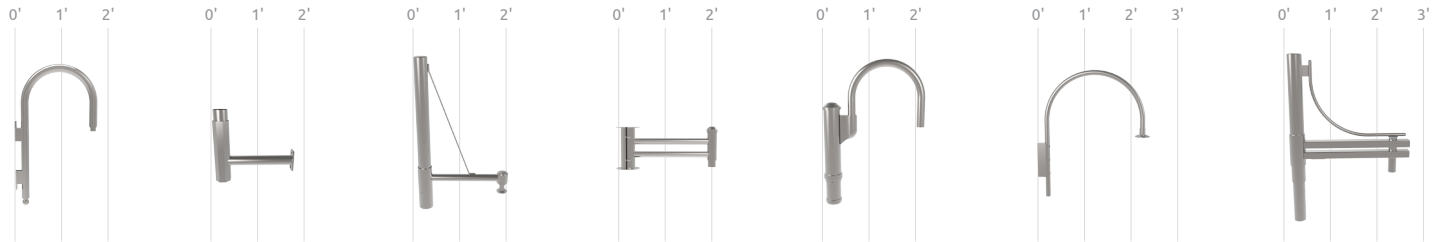
Single Davit Fixture Arm

Part #: [S15-50-SAF-02](#)

TOTAL WEIGHT (KG): 8.7



Size Chart



Shepherd 2

Westminster

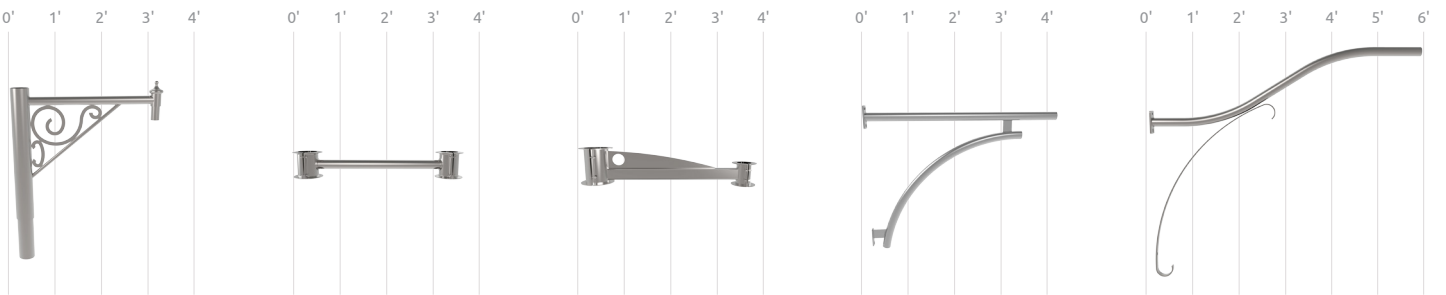
Long Bay

Ponderosa

Shepherd 3

Shepherd 1

Marina



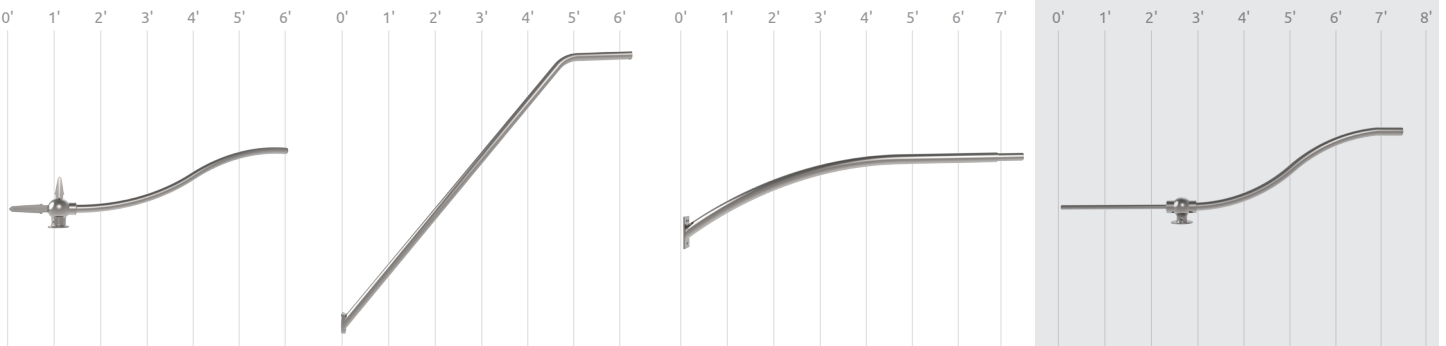
Vernon

Burke

Riverside

Heritage

Hodgson

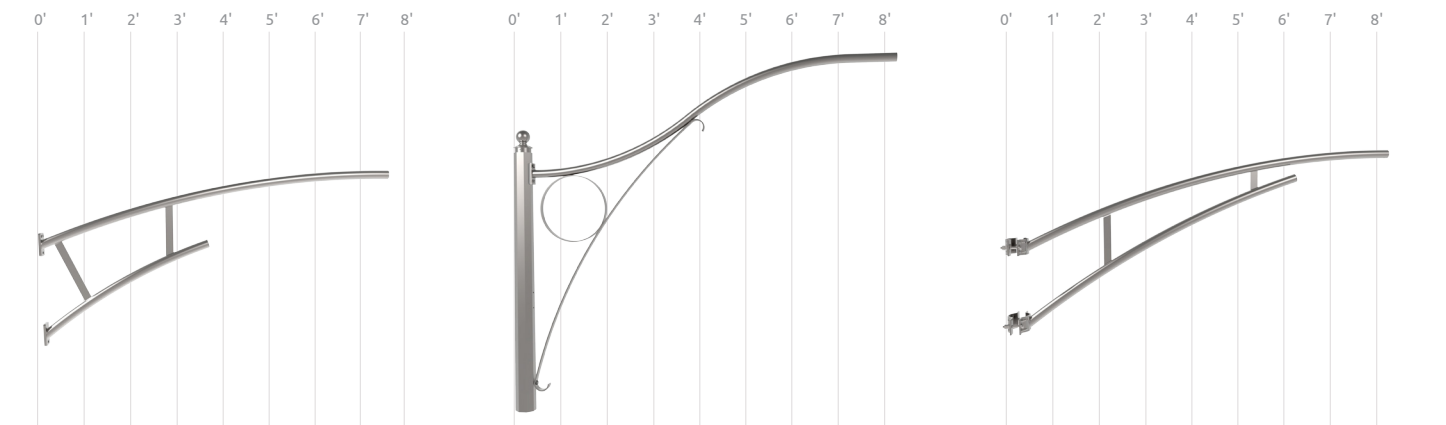


Scroll 2

Kansas

Lima

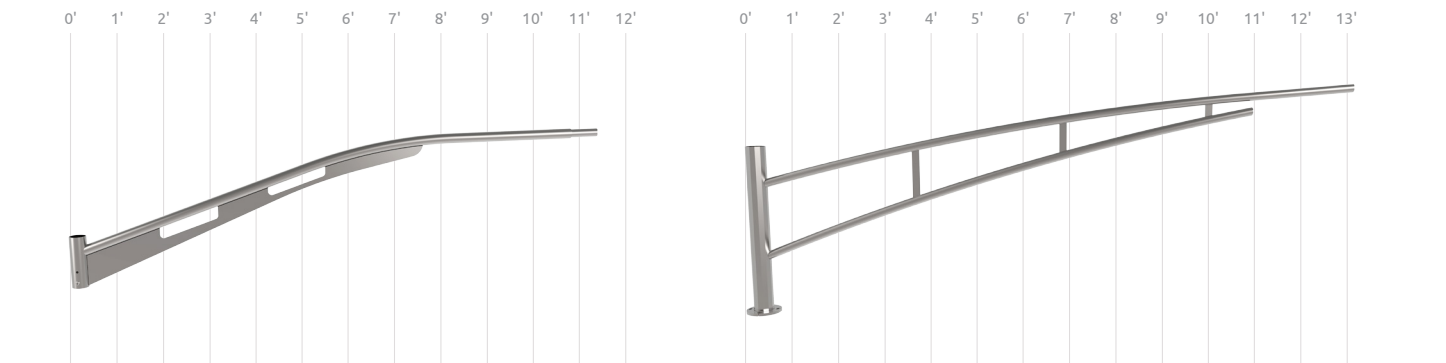
Bronte



Newport

Scroll 1

Truss 1



Gullwing

Truss 2