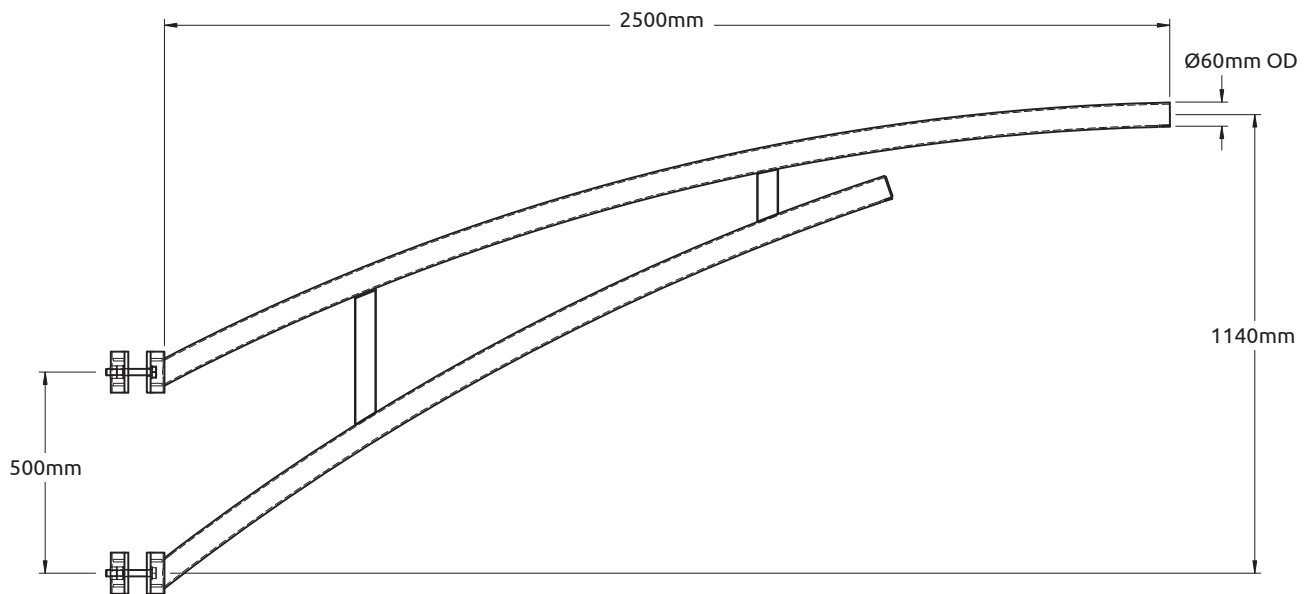
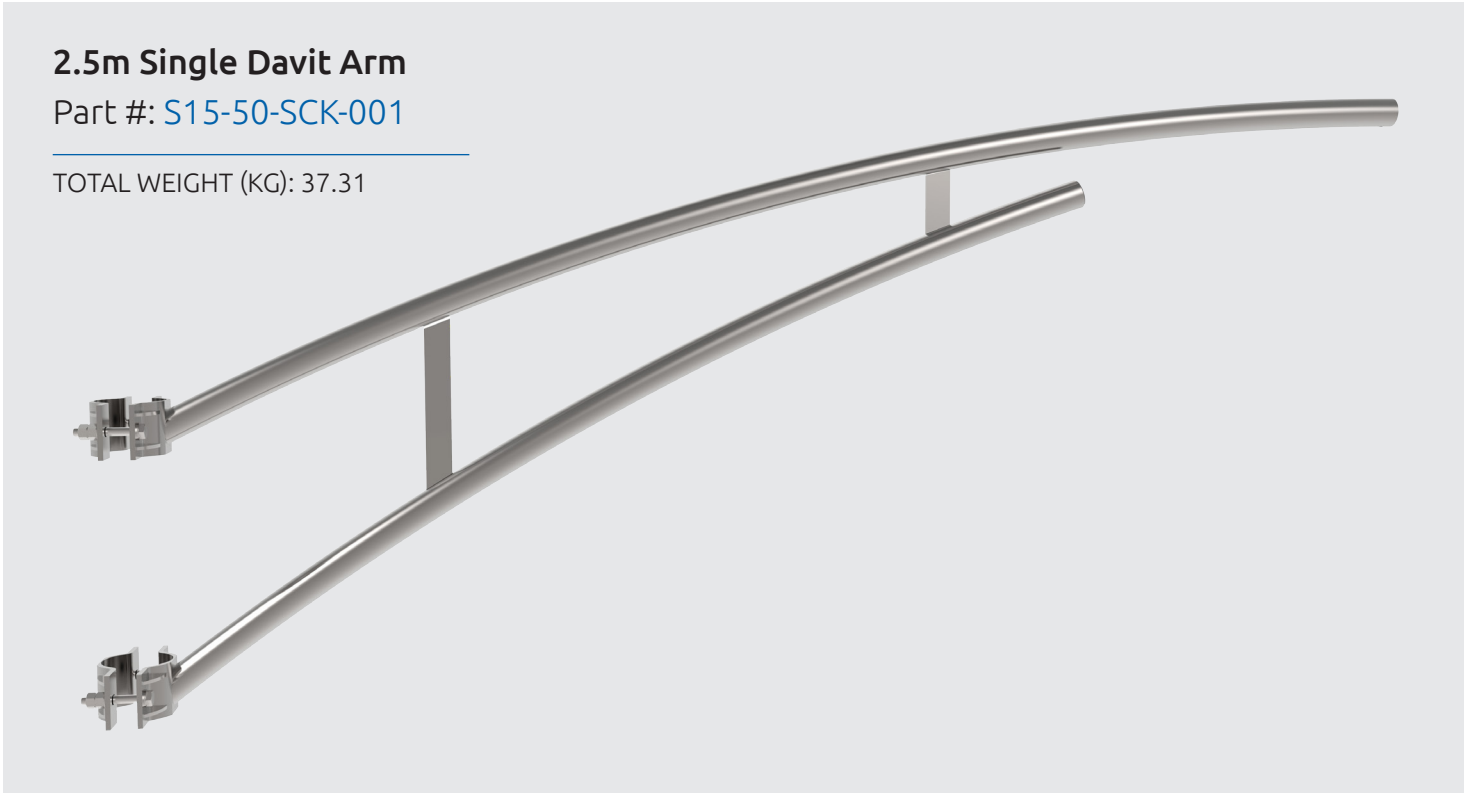


Truss 1

2.5m Single Davit Arm

Part #: [S15-50-SCK-001](#)

TOTAL WEIGHT (KG): 37.31



Size Chart

