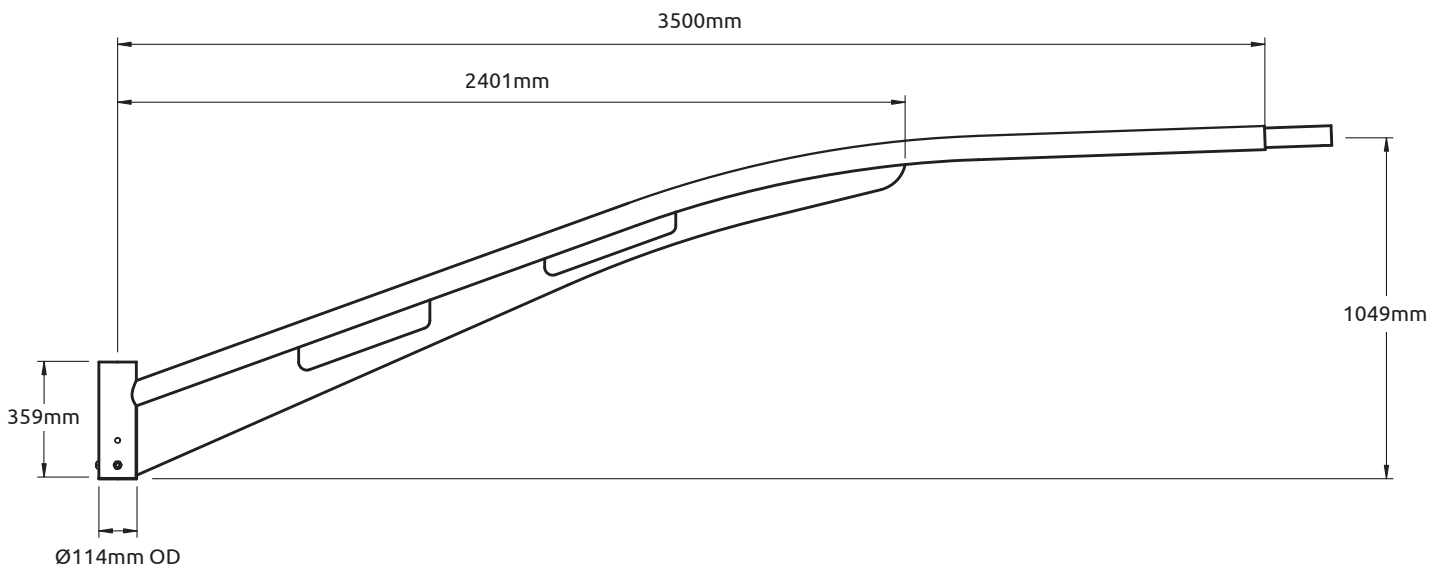


Gullwing

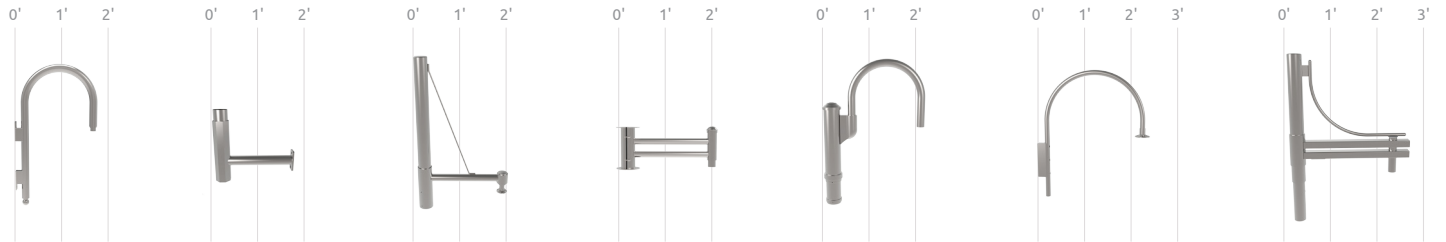
3.5m Single Davit Arm

Part #: [S15-50-DST-S01](#)

TOTAL WEIGHT (KG): 63.39



Size Chart



Shepherd 2

Westminster

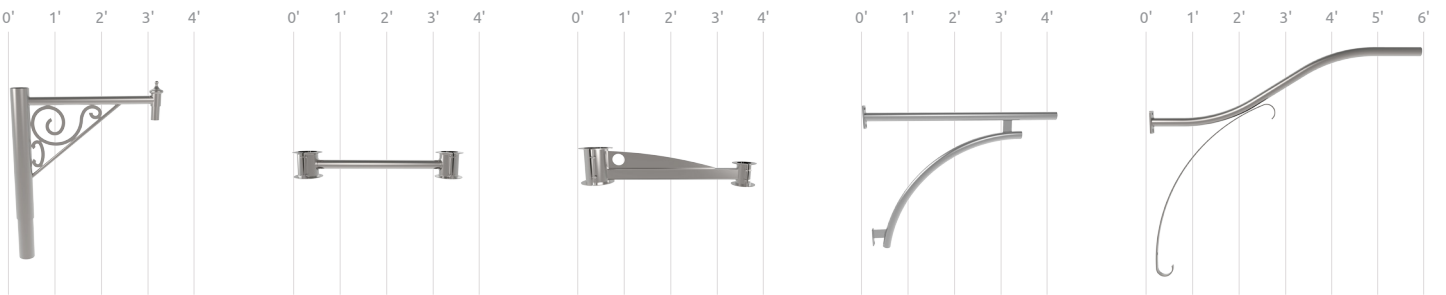
Long Bay

Ponderosa

Shepherd 3

Shepherd 1

Marina



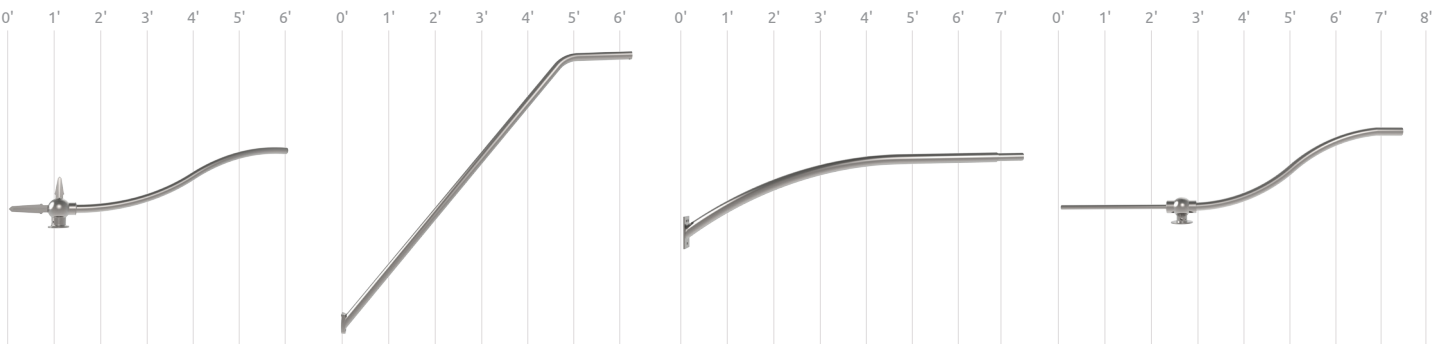
Vernon

Burke

Riverside

Heritage

Hodgson

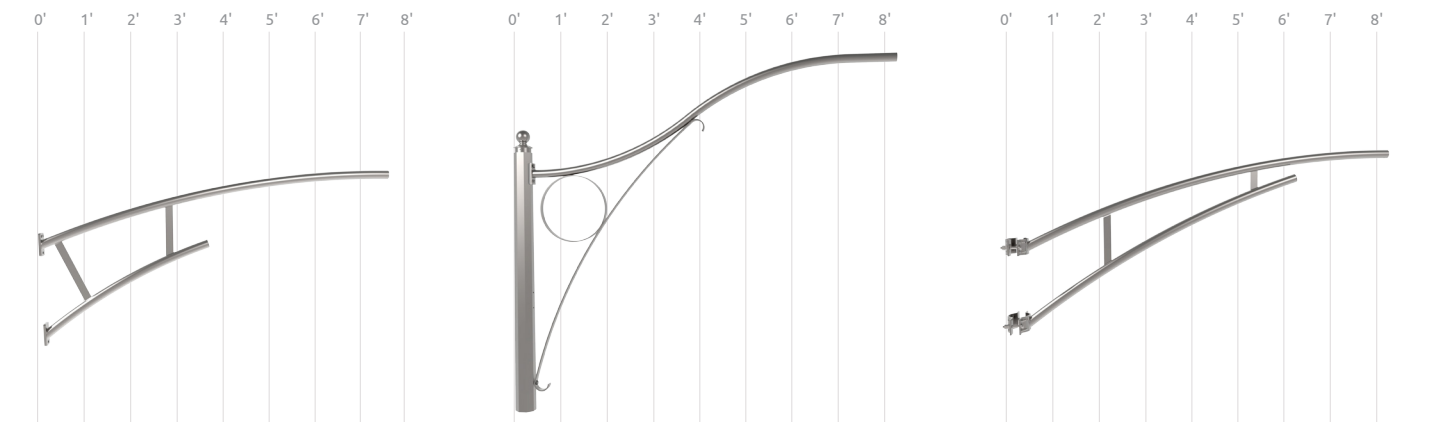


Scroll 2

Kansas

Lima

Bronte



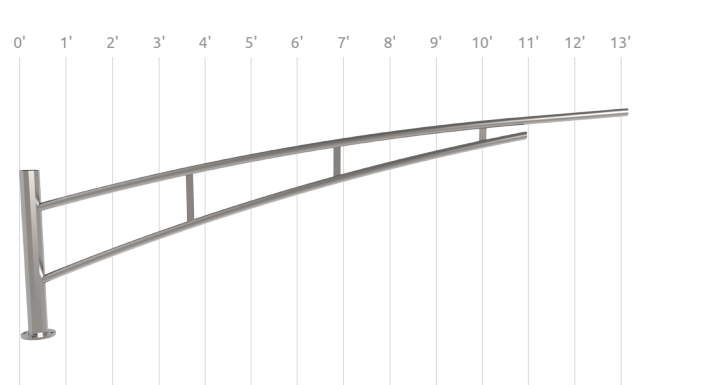
Newport

Scroll 1

Truss 1



Gullwing



Truss 2