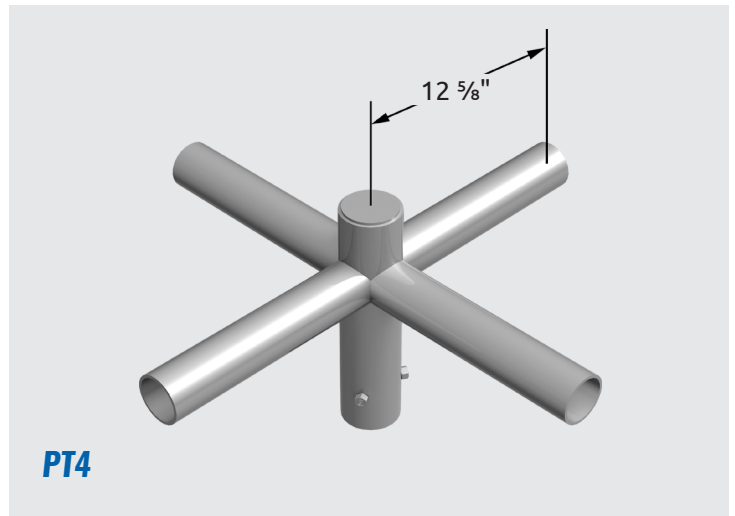
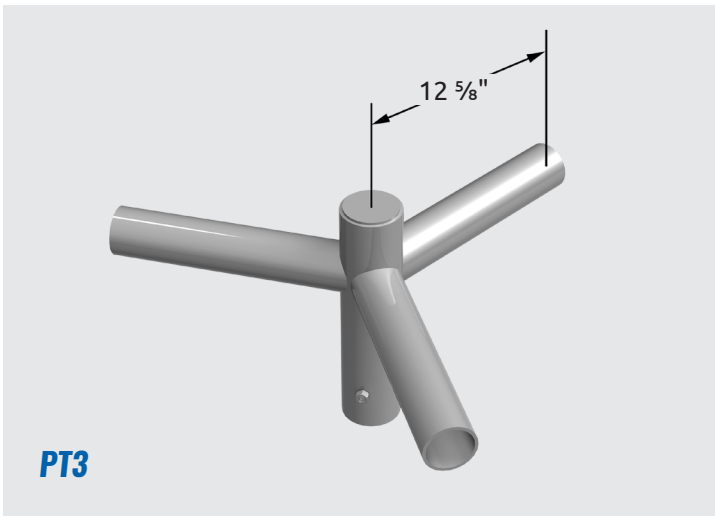
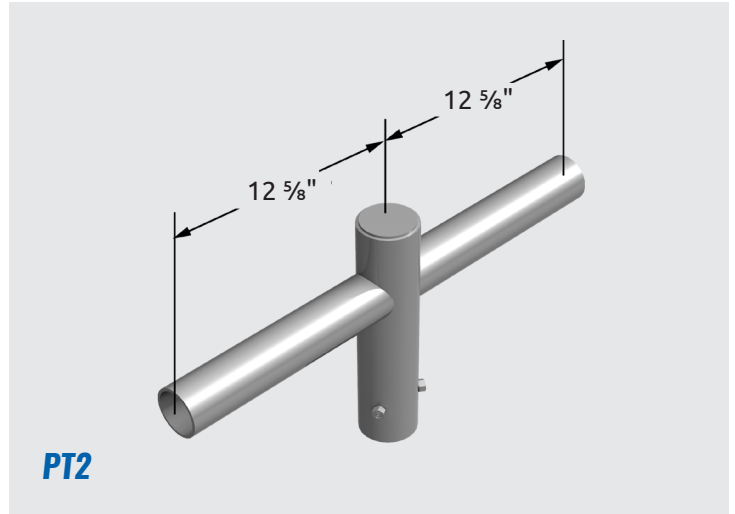
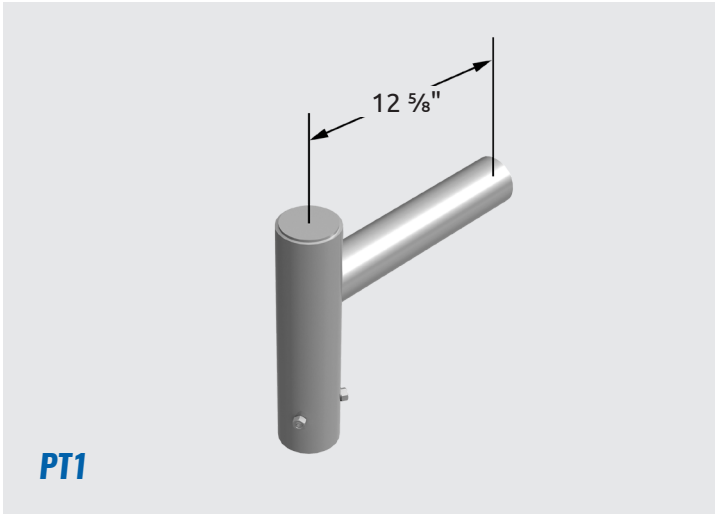


Tenon Adaptors



Part Number	Description	Weight (lbs)	EPA (Sq/ft)
101-99-TAPT01-Fx	PT1 Tenon Mounting Adaptor, 1 Tenon	8	0.5
101-99-TAPT02-Fx	PT2 Tenon Mounting Adaptor, 2 Tenons @ 180°	12	0.7
101-99-TAPT03-Fx	PT3 Tenon Mounting Adaptor, 3 Tenons @ 120°	15	0.9
101-99-TAPT04-Fx	PT4 Tenon Mounting Adaptor, 4 Tenons @ 90°	21	1.1

- Tenon Pipe: 2 3/8" (60mm) Outside Diameter
- Center Pipe: 2 7/16" (62mm) Inside Diameter
- Contact sales team for custom tenons

Finishing Code: x=1 for Galvanized; x=3 for Powder Coated; x=5 for Galvanized & Powder Coated