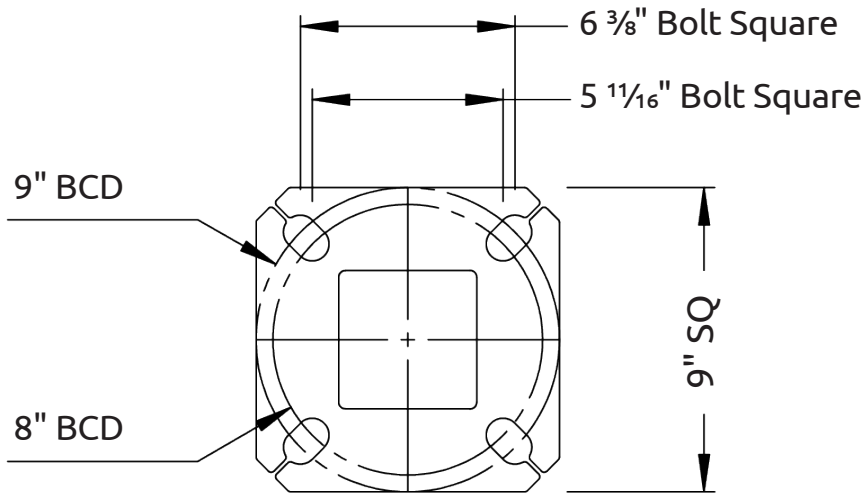


4" Straight Square Steel



NSS Type A




(3/4" x 24" Anchor Bolts)

- If supplied, the festoon box is installed at 5m height. Notify Nova Pole if different mounting height is required.
- Hand hole ring mounting height is 12" to centre and comes with (3"x5") hand hole cover
- Wind speeds (mph) in the table denote the maximum wind gust speed at the project site (i.e. gust factor included).
- Maximum EPA rating includes fixture(s) and supporting arm(s) and is for standard pole installation on concrete bases/footings.
- All poles are supplied with nut covers, shims and top plastic cap.
- Pole designs based on AASHTO Standard Specifications for Structural Supports for Highway Signs, Luminaires, and Traffic Signals.
- Contact Sales Team for custom sizes and/or applications.
- Specific information and details may be subject to change without notice.
- Please see [Warranty](#) and [Terms & Conditions](#).



CATALOGUE #		FIXTURE INFO
PROJECT NAME		
CITY		
PREPARED BY	DATE	
COMMENTS		
QUANTITY		
EPA (sq.ft.)		
WEIGHT (lbs)		

Catalogue #	Pole Height (ft)	Pole Weight (lbs)	Pole Type	Anchor Bolt Size	Base Plate Type	Maximum EPA (sq.ft.)			
						80MPH	90MPH	100MPH	110MPH
NSS410LD	10	80	LD	3/4" x 24"	A	32.0	26.0	21.0	17.0
NSS412LD	12	93	LD	3/4" x 24"	A	27.0	21.5	17.0	14.0
NSS416LD	16	118	LD	3/4" x 24"	A	20.0	15.5	12.0	9.5
NSS418LD	18	131	LD	3/4" x 24"	A	16.5	13.0	10.0	7.5
NSS420LD	20	144	LD	3/4" x 24"	A	14.0	10.5	8.0	6.0
NSS420MD	20	205	MD	3/4" x 24"	A	22.0	17.0	13.0	10.5
NSS424LD	24	170	LD	3/4" x 24"	A	10.0	7.0	5.0	3.5
NSS424MD	24	242	MD	3/4" x 24"	A	16.5	12.0	9.0	7.0
NSS430MD	30	299	MD	3/4" x 24"	A	10.0	7.0	4.5	3.0

Order Entry Info					
HEIGHT (ft)	MOUNTING TYPE (See Note 1)	FINISH TYPE	PC COLOUR	OPTIONS (Click descriptions to view product)	
10 (LD)	 TOP TENON MOUNT TT238 - 2 3/8" x 5" tenon TT278 - 2 7/8" x 5" tenon TT350 - 3 1/2" x 5" tenon	PC - Powder Coated	WHT - White (RAL-9003)	<input type="checkbox"/> DUPR - 1110 Box Provision (Festoon Box) <input type="checkbox"/> DUPRGI - 1110 Box Provision c/w 15A 120V GFI Receptacle and Weatherproof Cover <input type="checkbox"/> BCP - Type 4 Plastic Base Cover <input type="checkbox"/> BCCS - Type 4 Cast Square Base Cover <input type="checkbox"/> HHSS - Hand Hole Security System <input type="checkbox"/> FBA1 - Flower Basket Arm One Side (See Note 2) <input type="checkbox"/> FBA2 - Flower Basket Arm Dual (See Note 2) <input type="checkbox"/> BA1 - Banner Arms One Side (See Note 3) <input type="checkbox"/> BA2 - Banner Arms Dual (See Note 3) <input type="checkbox"/> AB - Anchor Bolts <input type="checkbox"/> BH - Bullhorns <input type="checkbox"/> N - None	
12 (LD)			NTPC - Nova Tuff Powder Coated (Colour Chart)		BLK - Black (BK50)
16 (LD)		 SIDE TENON MOUNT <i>Dimensions: 2 3/8" dia. x 5" long</i> ST1 - Single Head ST2180 - 2 Heads at 180 ST290 - 2 Heads at 90 ST390 - 3 Heads at 90 ST490 - 4 Heads at 90	GALV - Galvanized		DBZ - Dark Bronze (RAL-8019)
18 (LD)			GRY - Grey (RAL-7040)		
20 (LD)			GALVPC - Galvanized and Powder Coated		GRN - Green (RAL-6005)
20 (MD)			GALVNT - Galvanized and Nova Tuff Powder Coated		CC - Custom Colour (RAL-) <i>(Additional charges may apply)</i>
24 (LD)	 DRILL PATTERN DP1 - Single Head DP2180 - 2 Heads at 180 DP290 - 2 Heads at 90 DP390 - 3 Heads at 90 DP490 - 4 Heads at 90	<i>For PC or GALVPC, please select Colour from next column</i>	N - None <i>For Nova Tuff, please provide RAL# under CC</i>		
24 (MD)					
30 (MD)		N - None			
Height	Mounting	Finish Type	PC Colour		Options
NSS4					

Pole Type: LD = Light Duty, MD = Medium Duty, HD = Heavy Duty

Sample Catalogue #: NSS416LD-ST1-GALVPC-BLK-HHSS-BA1

Note 1: Please provide fixture cutsheet.

Note 2: Please provide basket weight, arm length and mounting height.

Note 3: Please provide banner size and mounting height.

[Reset Order Entry Form](#)