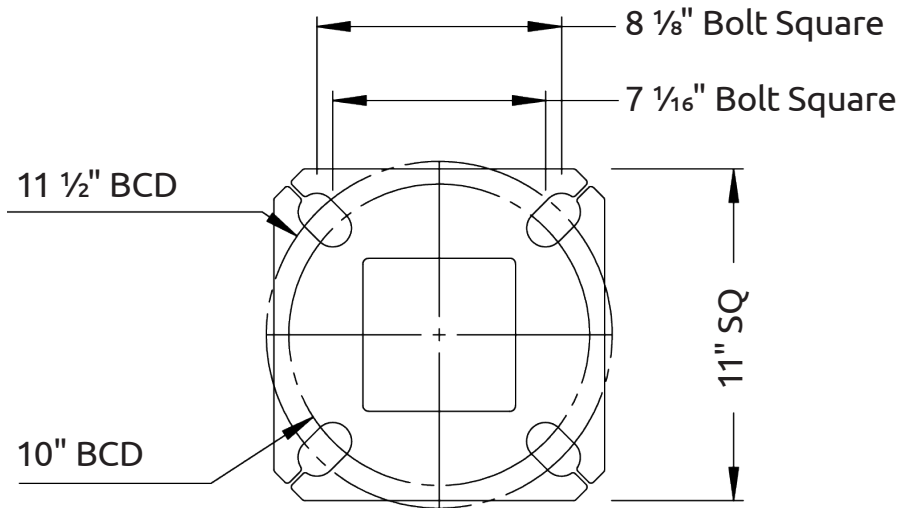
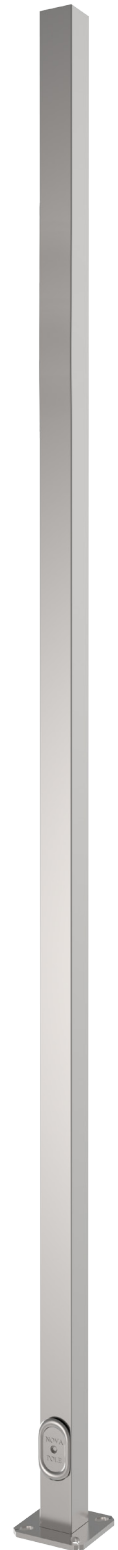


### 5" Straight Square Steel






**NSS Type B**  
(1" x 36" Anchor Bolts)



- If supplied, the festoon box is installed at 5m height. Notify Nova Pole if different mounting height is required.
- Hand hole ring mounting height is 12" to centre and comes with (4"x7") hand hole cover
- Wind speeds (mph) in the table denote the maximum wind gust speed at the project site (i.e. gust factor included).
- Maximum EPA rating includes fixture(s) and supporting arm(s) and is for standard pole installation on concrete bases/footings.
- All poles are supplied with nut covers, shims and top plastic cap.
- Pole designs based on AASHTO Standard Specifications for Structural Supports for Highway Signs, Luminaires, and Traffic Signals.
- Contact Sales Team for custom sizes and/or applications.
- Specific information and details may be subject to change without notice.
- Please see [Warranty](#) and [Terms & Conditions](#).

<b>CATALOGUE #</b>		<b>FIXTURE INFO</b>
<b>PROJECT NAME</b>		
<b>CITY</b>		
<b>PREPARED BY</b>	<b>DATE</b>	
<b>COMMENTS</b>		
		<b>QUANTITY</b>
		<b>EPA (sq.ft.)</b>
		<b>WEIGHT (lbs)</b>

Catalogue #	Pole Height (ft)	Pole Weight (lbs)	Pole Type	Anchor Bolt Size	Base Plate Type	Maximum EPA (sq.ft.)			
						80MPH	90MPH	100MPH	110MPH
NSS520LD	20	186	LD	1" x 36"	B	21.0	16.0	12.5	9.5
NSS520MD	20	265	MD	1" x 36"	B	36.0	28.0	22.0	17.5
NSS520HD	20	336	HD	1" x 36"	B	49.0	38.0	30.0	24.0
NSS524LD	24	218	LD	1" x 36"	B	15.5	11.5	8.5	6.0
NSS524MD	24	313	MD	1" x 36"	B	27.5	21.0	16.0	12.5
NSS524HD	24	399	HD	1" x 36"	B	37.0	29.0	22.5	18.0
NSS530LD	30	266	LD	1" x 36"	B	9.5	6.0	3.5	2.0
NSS530MD	30	385	MD	1" x 36"	B	18.5	13.5	9.5	7.0
NSS530HD	30	492	HD	1" x 36"	B	26.0	19.0	14.5	11.0

Order Entry Info					
HEIGHT (ft)	MOUNTING TYPE <i>(See Note 1)</i>	FINISH TYPE	PC COLOUR	OPTIONS <i>(Click descriptions to view product)</i>	
20 (LD)	 <b>TOP TENON MOUNT</b> <b>TT238</b> - 2 3/8" x 5" tenon <b>TT278</b> - 2 7/8" x 5" tenon <b>TT350</b> - 3 1/2" x 5" tenon <b>TT400</b> - 4" x 5" tenon	<b>PC</b> - Powder Coated	<b>WHT</b> - White (RAL-9003)	<input type="checkbox"/> <b>DUPR</b> - 1110 Box Provision (Festoon Box) <input type="checkbox"/> <b>DUPRGI</b> - 1110 Box Provision c/w 15A 120V GFI Receptacle and Weatherproof Cover <input type="checkbox"/> <b>BCP</b> - Type 5 Plastic Base Cover <input type="checkbox"/> <b>BCCS</b> - Type 5 Cast Square Base Cover <input type="checkbox"/> <b>HHSS</b> - Hand Hole Security System <input type="checkbox"/> <b>FBA1</b> - Flower Basket Arm One Side <i>(See Note 2)</i> <input type="checkbox"/> <b>FBA2</b> - Flower Basket Arm Dual <i>(See Note 2)</i> <input type="checkbox"/> <b>BA1</b> - Banner Arms One Side <i>(See Note 3)</i> <input type="checkbox"/> <b>BA2</b> - Banner Arms Dual <i>(See Note 3)</i> <input type="checkbox"/> <b>AB</b> - Anchor Bolts <input type="checkbox"/> <b>BH</b> - Bullhorns <input type="checkbox"/> <b>N</b> - None	
20 (MD)		 <b>SIDE TENON MOUNT</b> <i>Dimensions: 2 3/8" dia. x 5" long</i> <b>ST1</b> - Single Head <b>ST2180</b> - 2 Heads at 180 <b>ST290</b> - 2 Heads at 90 <b>ST390</b> - 3 Heads at 90 <b>ST490</b> - 4 Heads at 90	<b>NTPC</b> - Nova Tuff Powder Coated <i>(Colour Chart)</i>		<b>BLK</b> - Black (BK50)
20 (HD)			 <b>DRILL PATTERN</b> <b>DP1</b> - Single Head <b>DP2180</b> - 2 Heads at 180 <b>DP290</b> - 2 Heads at 90 <b>DP390</b> - 3 Heads at 90 <b>DP490</b> - 4 Heads at 90		<b>GALV</b> - Galvanized
24 (LD)	<b>GALVPC</b> - Galvanized and Powder Coated				<b>GRY</b> - Grey (RAL-7040)
24 (MD)	<b>N</b> - None		<b>GALVNT</b> - Galvanized and Nova Tuff Powder Coated		<b>GRN</b> - Green (RAL-6005)
24 (HD)		<i>For PC or GALVPC, please select Colour from next column</i>	<b>CC</b> - Custom Colour (RAL- ) <i>(Additional charges may apply)</i>		
30 (LD)		<i>For Nova Tuff, please provide RAL# under CC</i>	<b>N</b> - None		
30 (MD)					
30 (HD)					
<b>Height</b>	<b>Mounting</b>	<b>Finish Type</b>	<b>PC Colour</b>		<b>Options</b>
NSS5					

**Pole Type:** LD = Light Duty, MD = Medium Duty, HD = Heavy Duty

**Sample Catalogue #:** NSS520LD-ST1-GALVPC-BLK-HHSS-BA1

*Note 1: Please provide fixture cutsheet.*

*Note 2: Please provide basket weight, arm length and mounting height.*

*Note 3: Please provide banner size and mounting height.*

**Reset Order Entry Form**