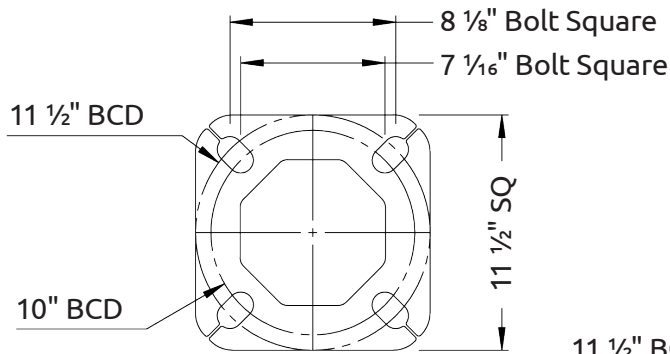
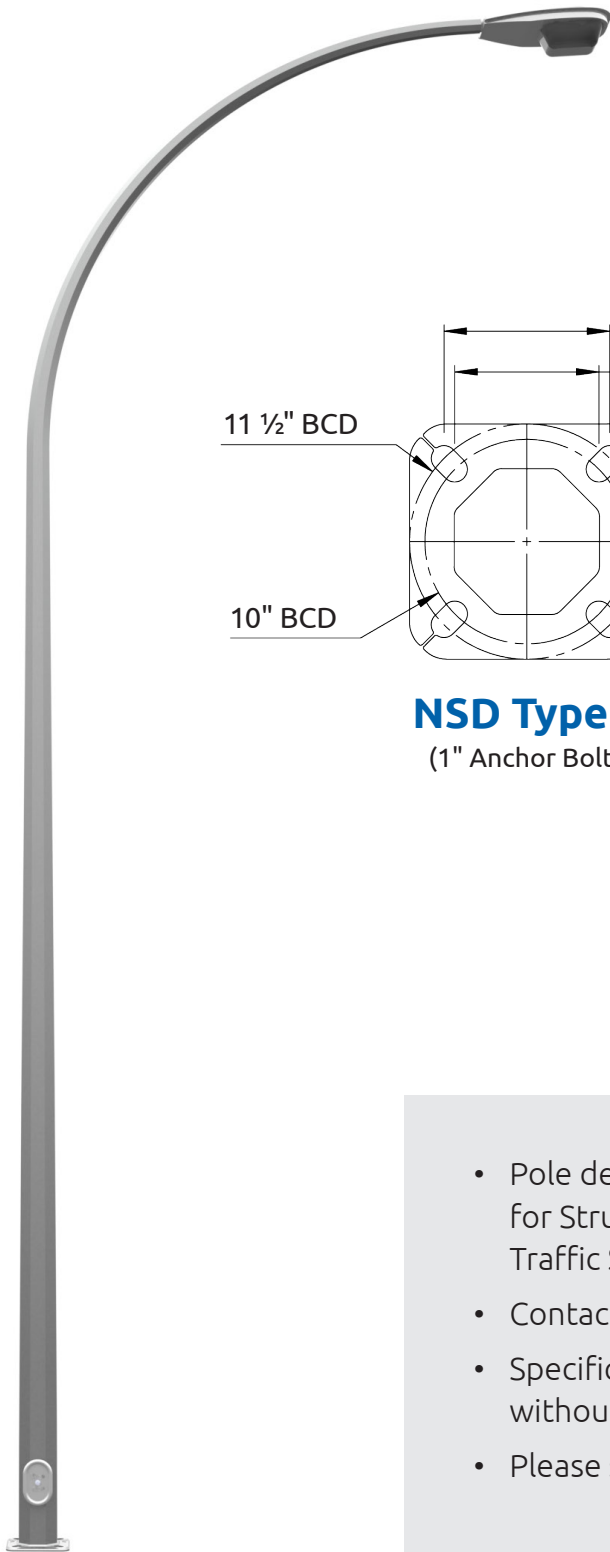
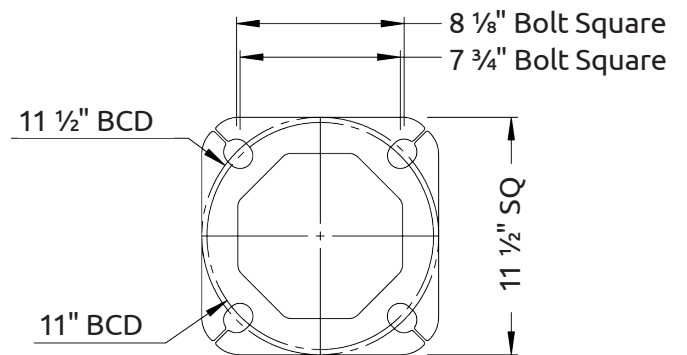


Single Davit Steel



NSD Type A
(1" Anchor Bolts)



NSD Type B
(1" Anchor Bolts)

- Pole designs based on AASHTO Standard Specifications for Structural Supports for Highway Signs, Luminaires, and Traffic Signals.
- Contact Sales Team for custom sizes and/or applications.
- Specific information and details may be subject to change without notice.
- Please see Warranty and Terms & Conditions.

CATALOGUE #					
COMMENTS					
PROJECT					
PREPARED BY		TYPE		DATE	

Catalogue #	Pole Height (ft)	Pole Reach (ft)	Pole Weight (lbs)	Anchor Bolt Diameter (in)	Base Plate Type
NSD226	22	6	191	1	A
NSD228	22	8	199	1	A
NSD256	25	6	212	1	A
NSD258	25	8	219	1	A
NSD276	27	6	225	1	A
NSD278	27	8	233	1	A
NSD306	30	6	270	1	B
NSD308	30	8	278	1	B
NSD326	32	6	285	1	B
NSD328	32	8	293	1	B
NSD356	35	6	307	1	B
NSD358	35	8	316	1	B
NSD366	36	6	315	1	B
NSD368	36	8	323	1	B

Tenon Size: 2 3/8" Diameter x 7" Long.