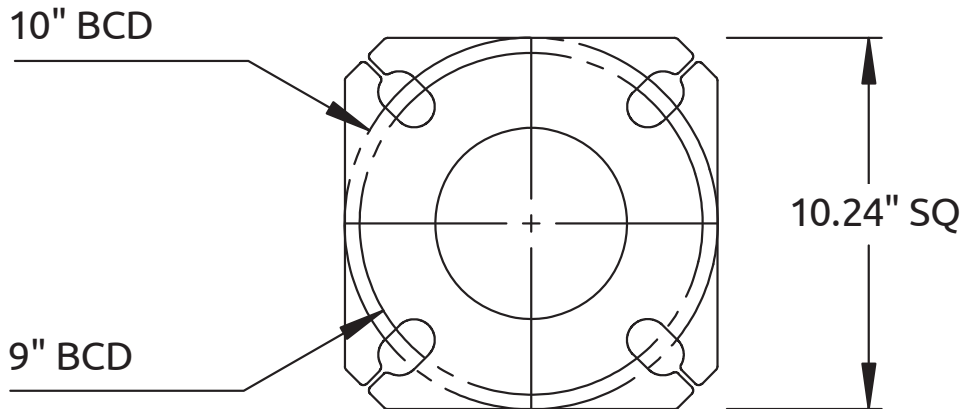


6" Round Tapered Aluminum



NRTA6 Base

(1" Anchor Bolts)



- Hand hole ring mounting height is 18" to centre and comes with (3"x5") hand hole cover
- Maximum Height is 30ft
- Wind speeds (mph) in the table denote the maximum wind gust speed at the project site (i.e. gust factor included).
- Maximum EPA rating includes fixture(s) and supporting arm(s) and is for standard pole installation on concrete bases/footings.
- Pole designs based on AASHTO Standard Specifications for Structural Supports for Highway Signs, Luminaires, and Traffic Signals.
- Specific information and details may be subject to change without notice.
- Contact Sales Team for custom sizes and/or applications.
- Please see Warranty and Terms & Conditions.

CATALOGUE #			
PROJECT NAME			
CITY			
PREPARED BY		DATE	
CITY			

Catalogue #	Pole Height (ft)	Bottom Diameter (in)	Top Diameter (in)	Pole Type	Anchor Bolt Diameter (in)	Maximum EPA (sq.ft.)			
						100MPH	110MPH	130MPH	150MPH
NRTA615LD	15	6	3	LD	1	10.5	8.5	6.0	4.0
NRTA615MD	15	6	3	MD	1	13.0	10.5	7.0	5.0
NRTA615HD	15	6	3	HD	1	17.5	14.5	10.0	7.0
NRTA620LD	20	6	3	LD	1	6.5	5.0	3.5	2.0
NRTA620MD	20	6	3	MD	1	8.5	6.5	4.5	3.0
NRTA620HD	20	6	3	HD	1	12.0	9.0	6.5	4.5
NRTA625LD	25	6	3	LD	1	4.0	3.0	1.5	1.0
NRTA625MD	25	6	3	MD	1	5.5	4.0	2.5	1.5
NRTA625HD	25	6	3	HD	1	8.0	6.5	4.0	2.5
NRTA630LD	30	6	3	LD	1	1.5	1.0	N/A	N/A
NRTA630MD	30	6	3	MD	1	3.0	2.0	1.0	N/A
NRTA630HD	30	6	3	HD	1	5.0	3.5	2.0	1.0

Pole Type Wall Thickness: XLD = 0.125", LD = 0.156", MD = 0.188", HD = 0.25"