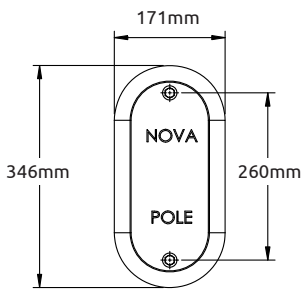


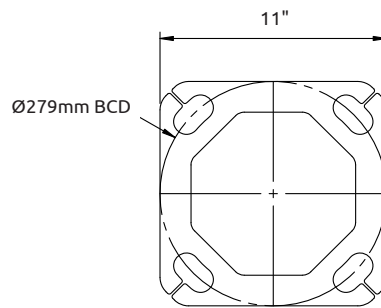
Single Davit Pole

10.7m x 2.5m (35' x 8') w/ 11" BCD

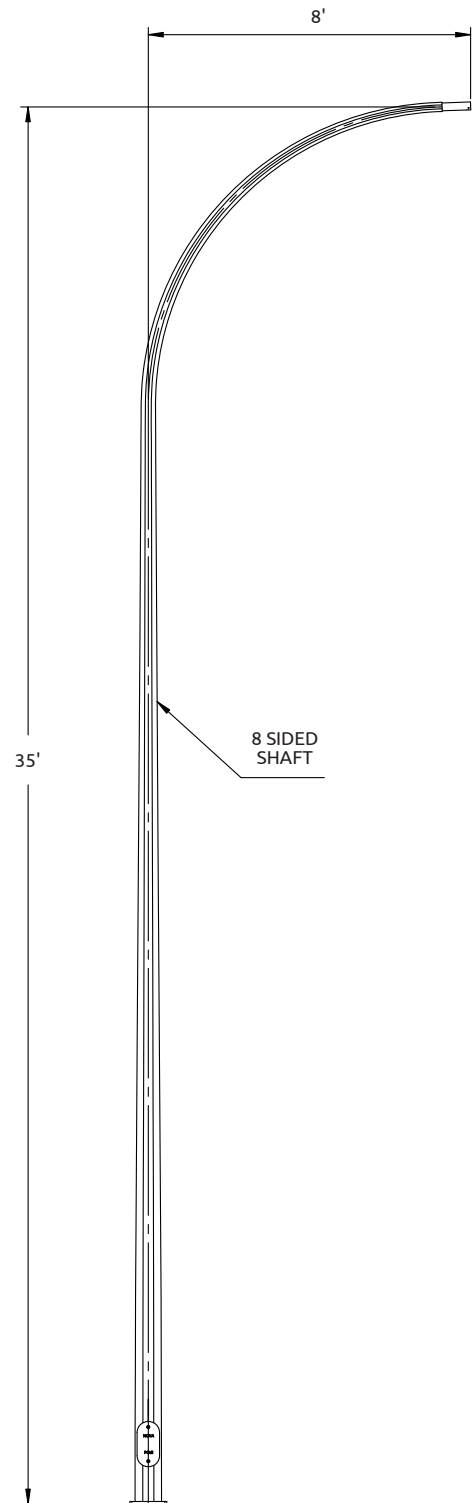
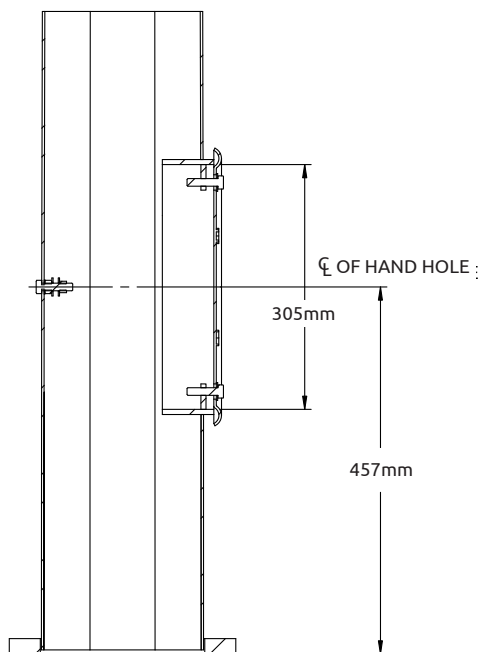
Pole, supporting one fixture 3.0 sq.ft. EPA and 66 lbs, is designed for 160 km/h wind loading (including gusts). Welding follows CSA W59, W47.1 standards.



HAND HOLE COVER



BASE PLATE

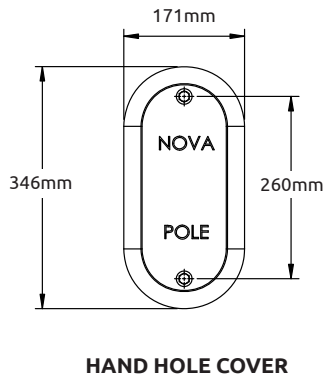


POLE ELEVATION

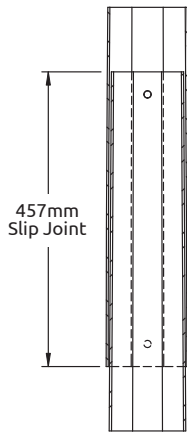
Single Davit Pole

13.1m x 2.5m (43' x 8') w/ 13" BCD

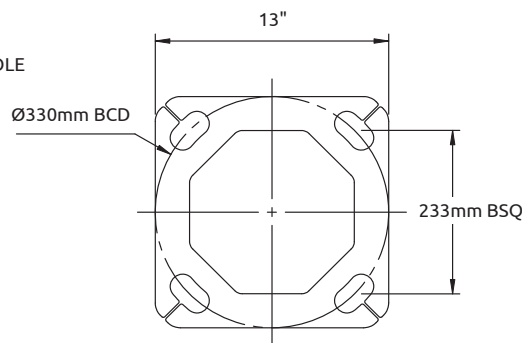
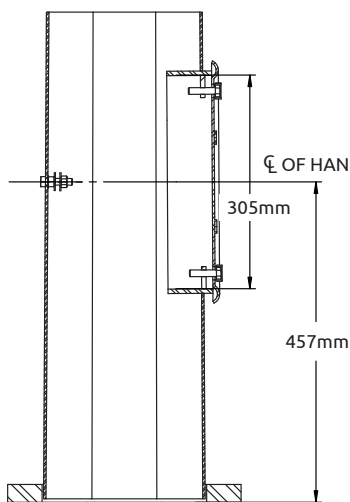
Pole, supporting one luminaire of 0.28m² EPA and 30kg, is designed for 160 km/h wind loading (including gusts). Welding follows CSA W59, W47.1 standards.



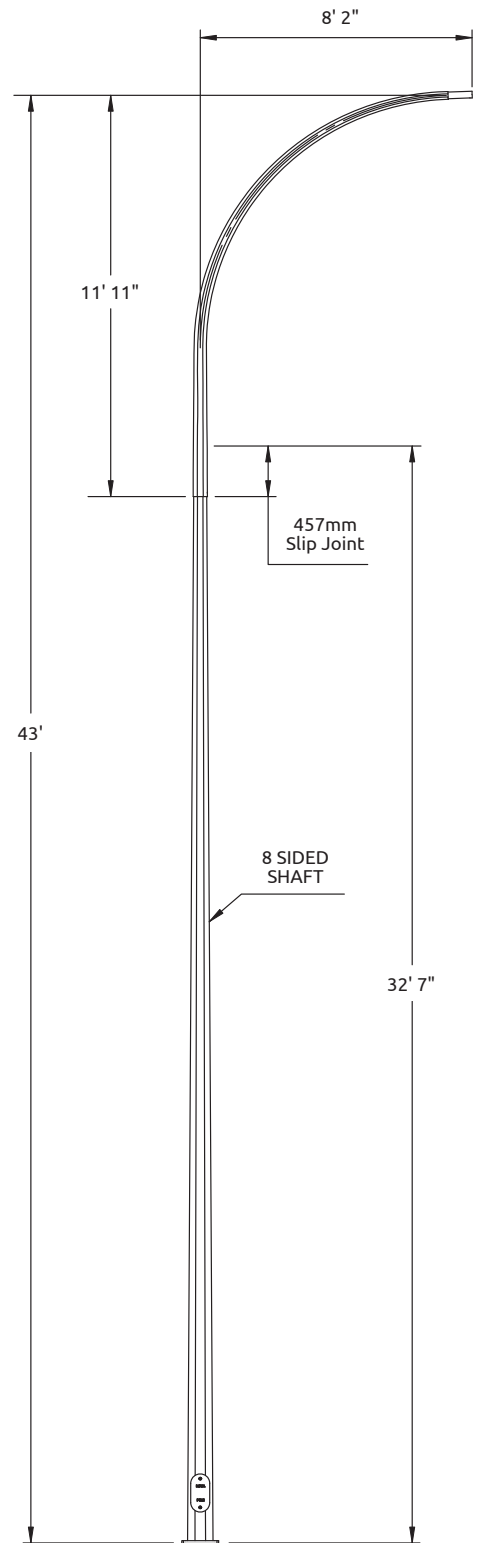
HAND HOLE COVER



SLIP JOINT



BASE PLATE

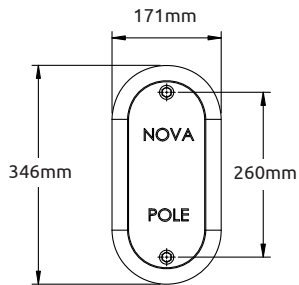


POLE ELEVATION

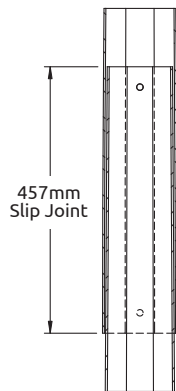
Single Davit Pole

13.1m x 3.6m (43' x 12') w/ 13" BCD

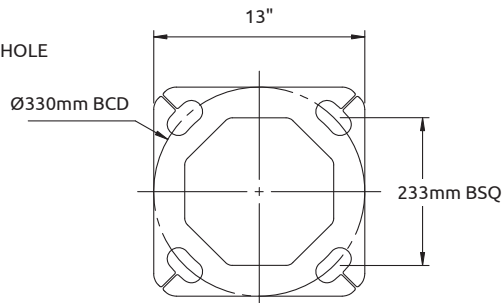
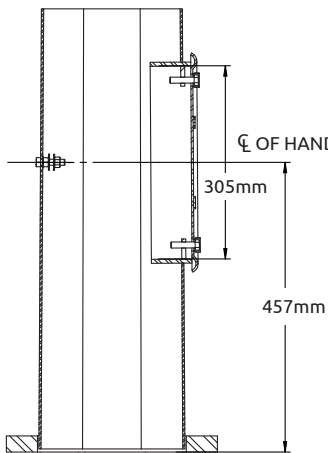
Pole, supporting one luminaire of 0.28m² EPA and 30kg, is designed for 160 km/h wind loading (including gusts). Welding follows CSA W59, W47.1 standards.



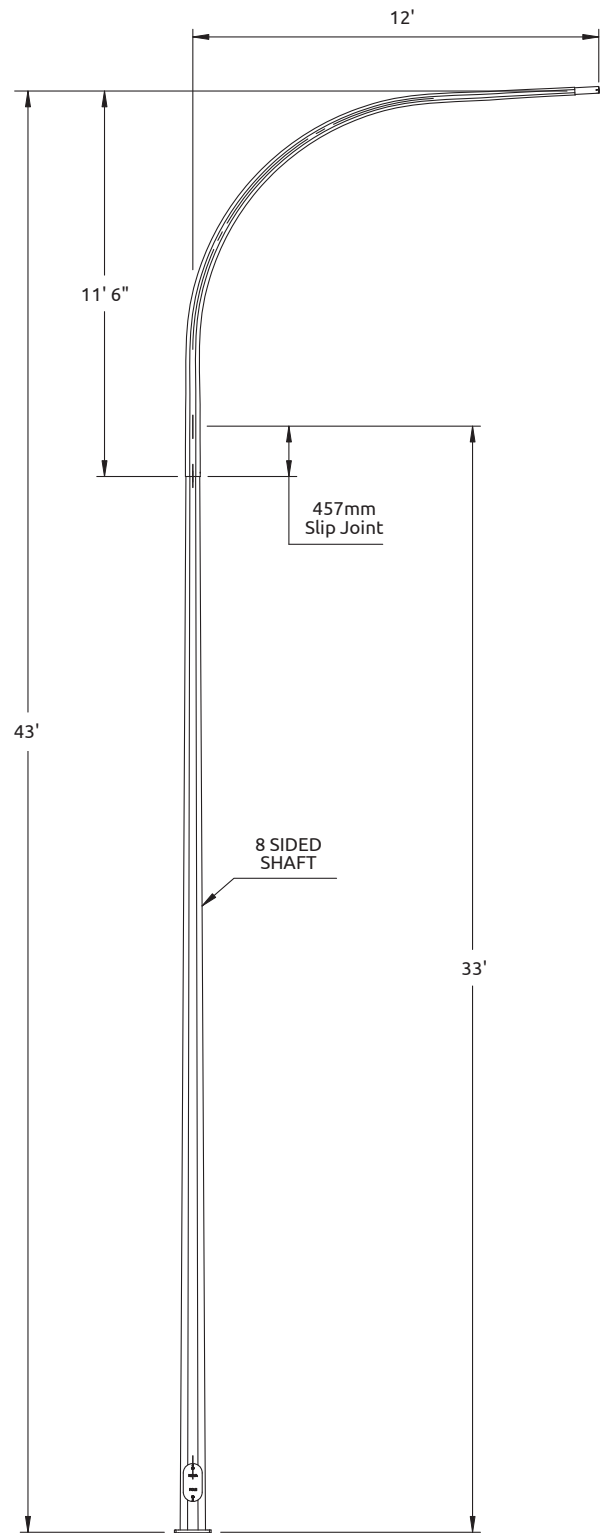
HAND HOLE COVER



SLIP JOINT



BASE PLATE

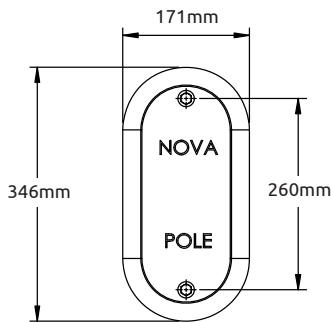


POLE ELEVATION

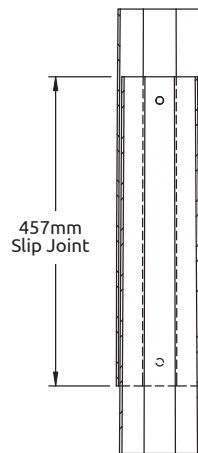
Single Davit Pole

15.2m x 2.5m (50' x 8') w/ 13" BCD

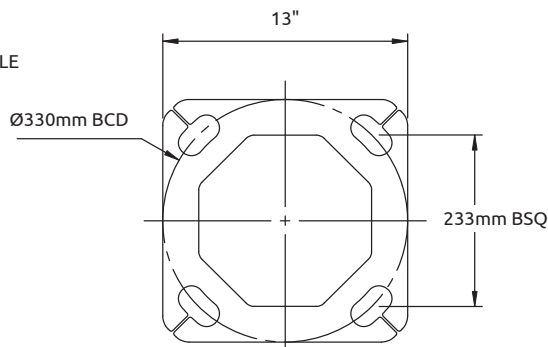
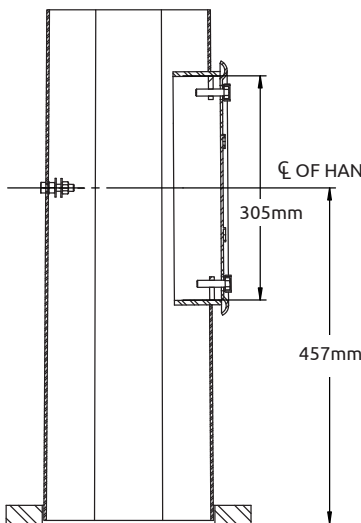
Pole, supporting one luminaire of 0.28m² EPA and 30kg, is designed for 160 km/h wind loading (including gusts). Welding follows CSA W59, W47.1 standards.



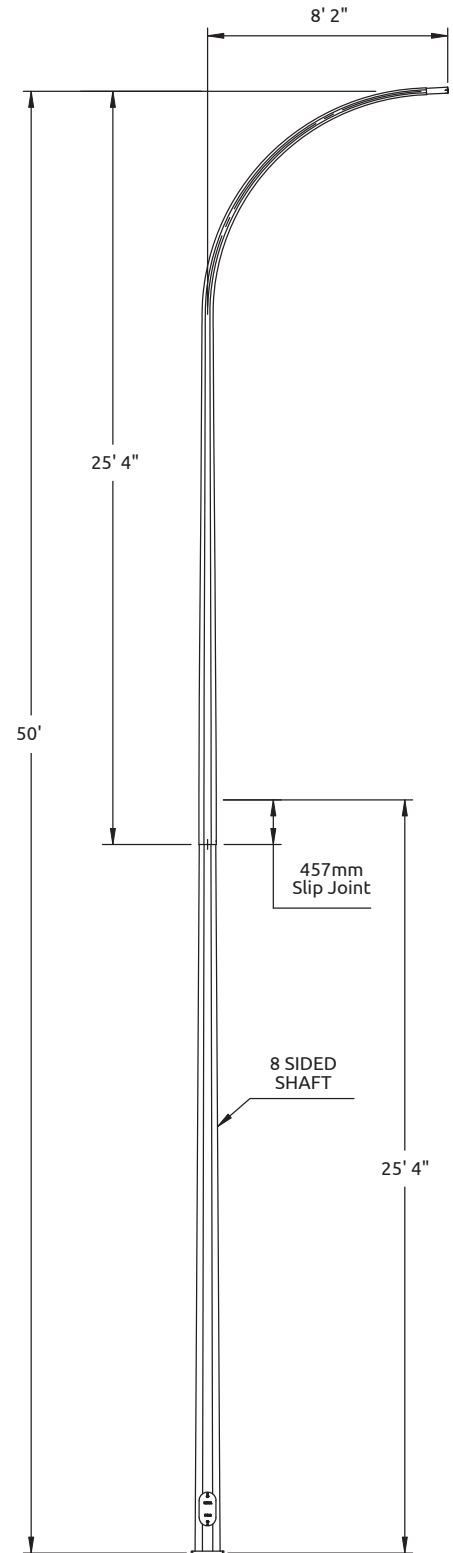
HAND HOLE COVER



SLIP JOINT



BASE PLATE

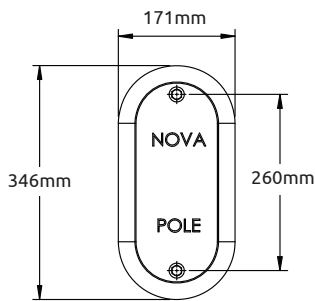


POLE ELEVATION

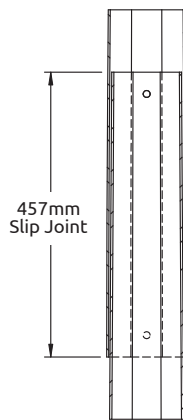
Single Davit Pole

15.2m x 3.6m (50' x 12') w/ 13" BCD

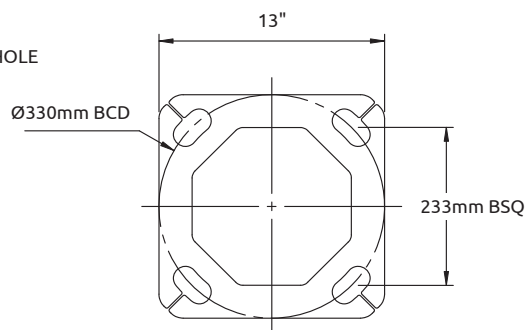
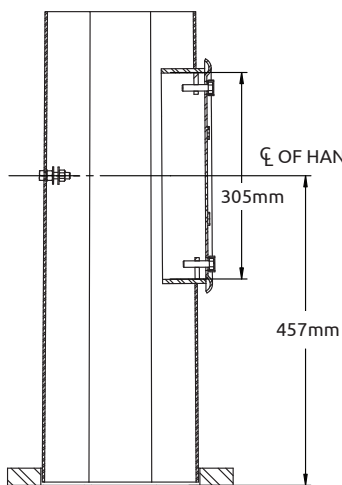
Pole, supporting one luminaire of 0.28m² EPA and 30kg, is designed for 160 km/h wind loading (including gusts). Welding follows CSA W59, W47.1 standards.



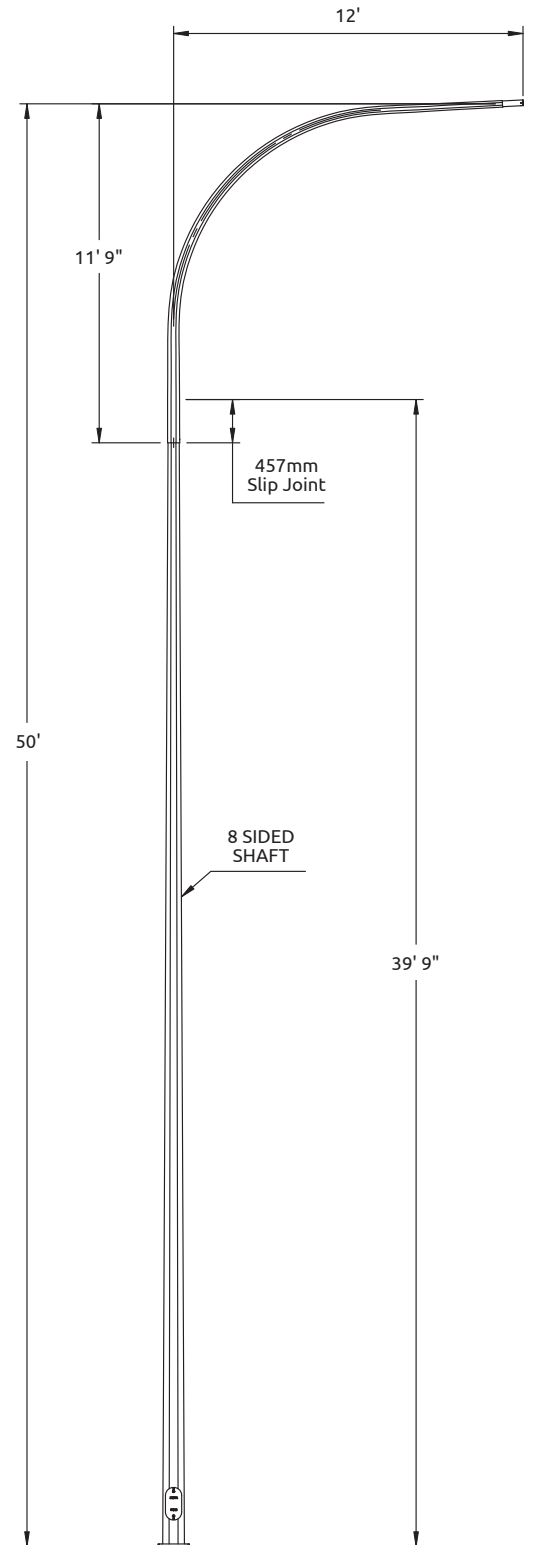
HAND HOLE COVER



SLIP JOINT



BASE PLATE



POLE ELEVATION