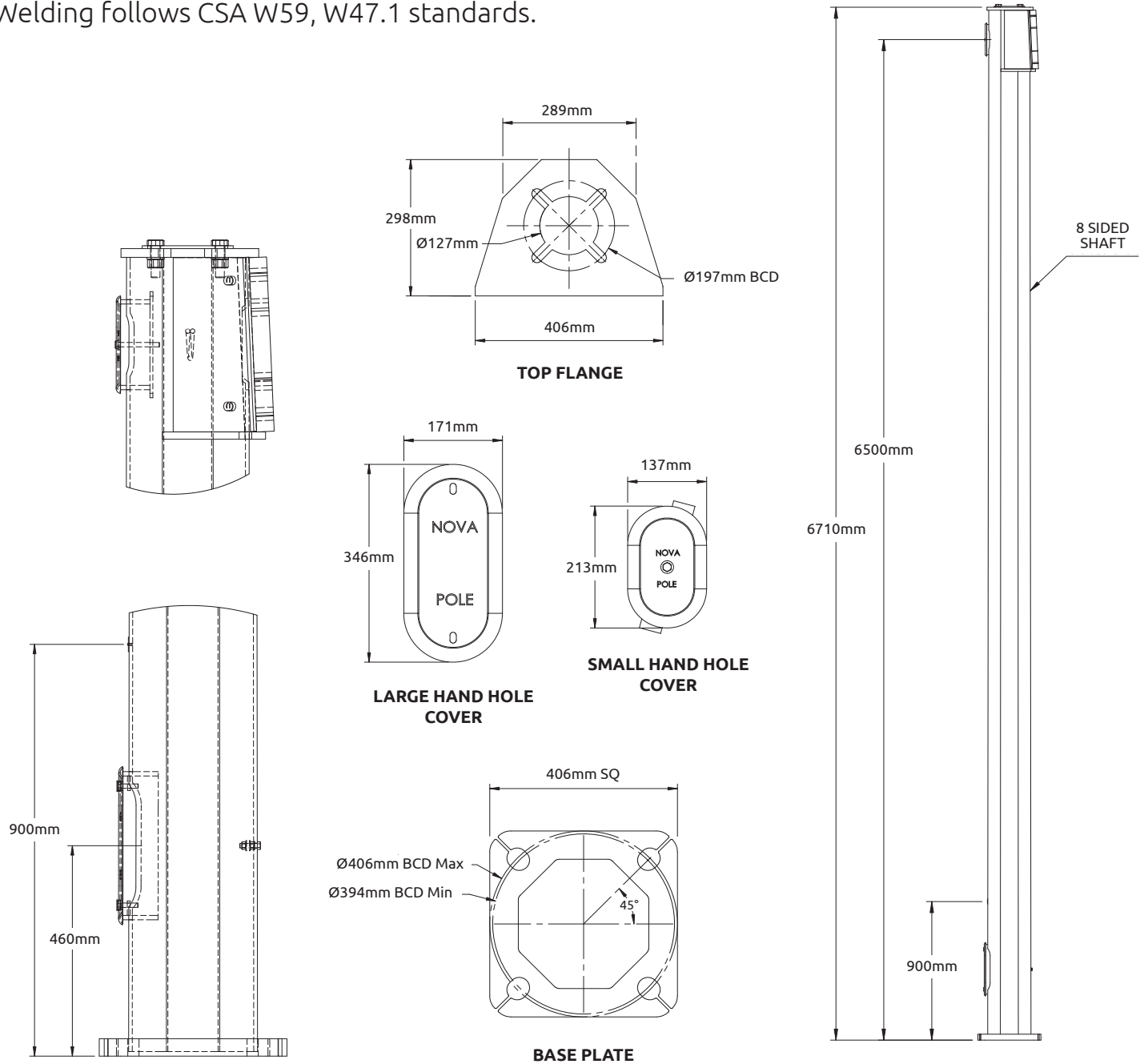


# Vertical Shaft for 4-11m Traffic Arm

Vertical shaft designed to support 4-11m  
Traffic Arm (394mm-406mm BCD Square Base)

Welding follows CSA W59, W47.1 standards.



# Vertical Shaft for 12-15m Signal Arm

Vertical shaft designed to support 12-15m  
Traffic Arm (394mm-406mm BCD Square Base)

Welding follows CSA W59, W47.1 standards.

