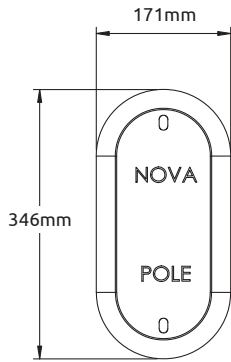


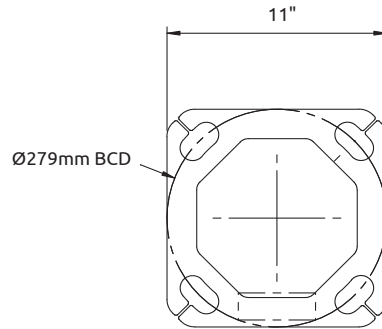
3m-6m Pedestrian Pole

4 1/2" Tenon C/W Hand Hole

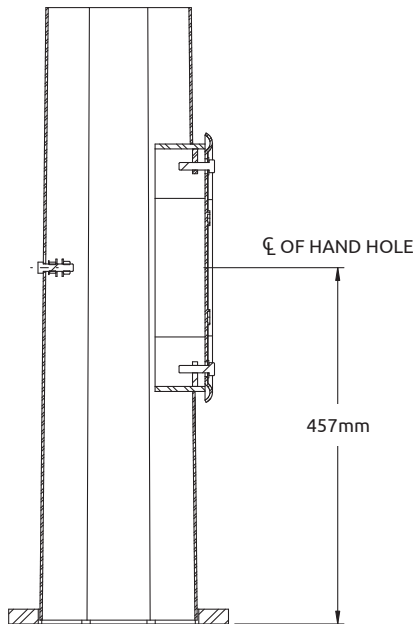
Pole is designed for 160 km/h wind loading (including AASHTO gust factor of 1.3).
Welding follows CSA W59, W47.1 standards.



HAND HOLE COVER

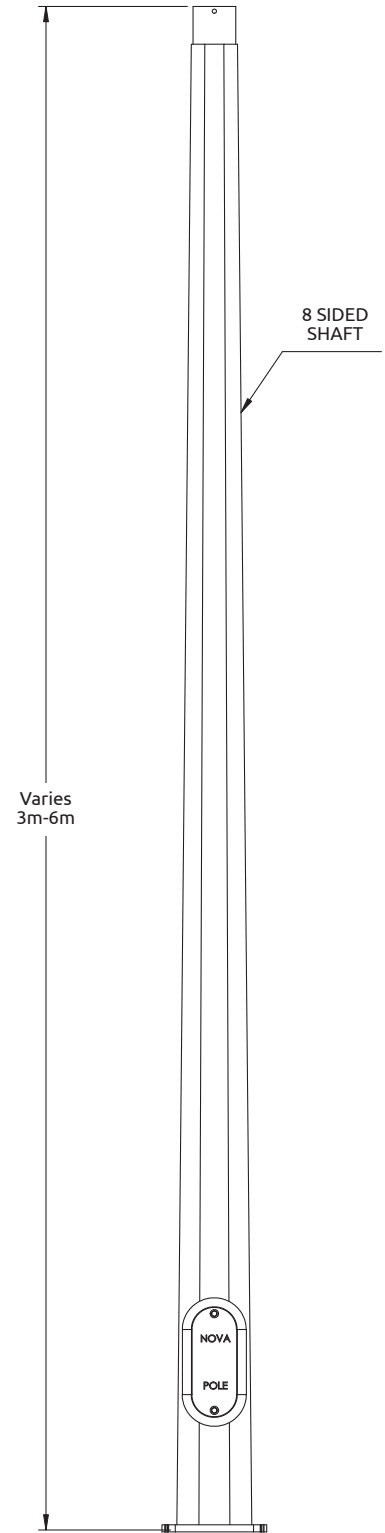


BASE PLATE



☉ OF HAND HOLE

457mm



Varies
3m-6m

8 SIDED
SHAFT