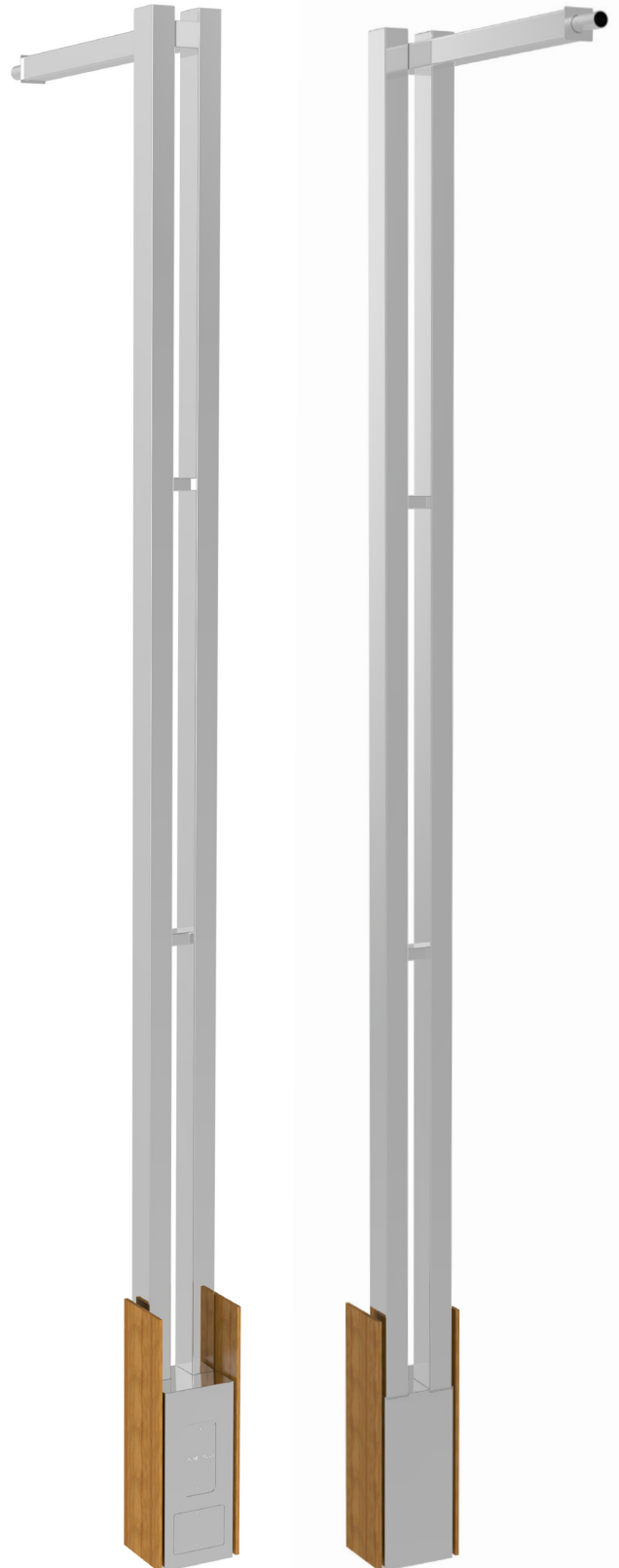


## Decorative Tandem Style Aluminum Pole - Heavy Duty

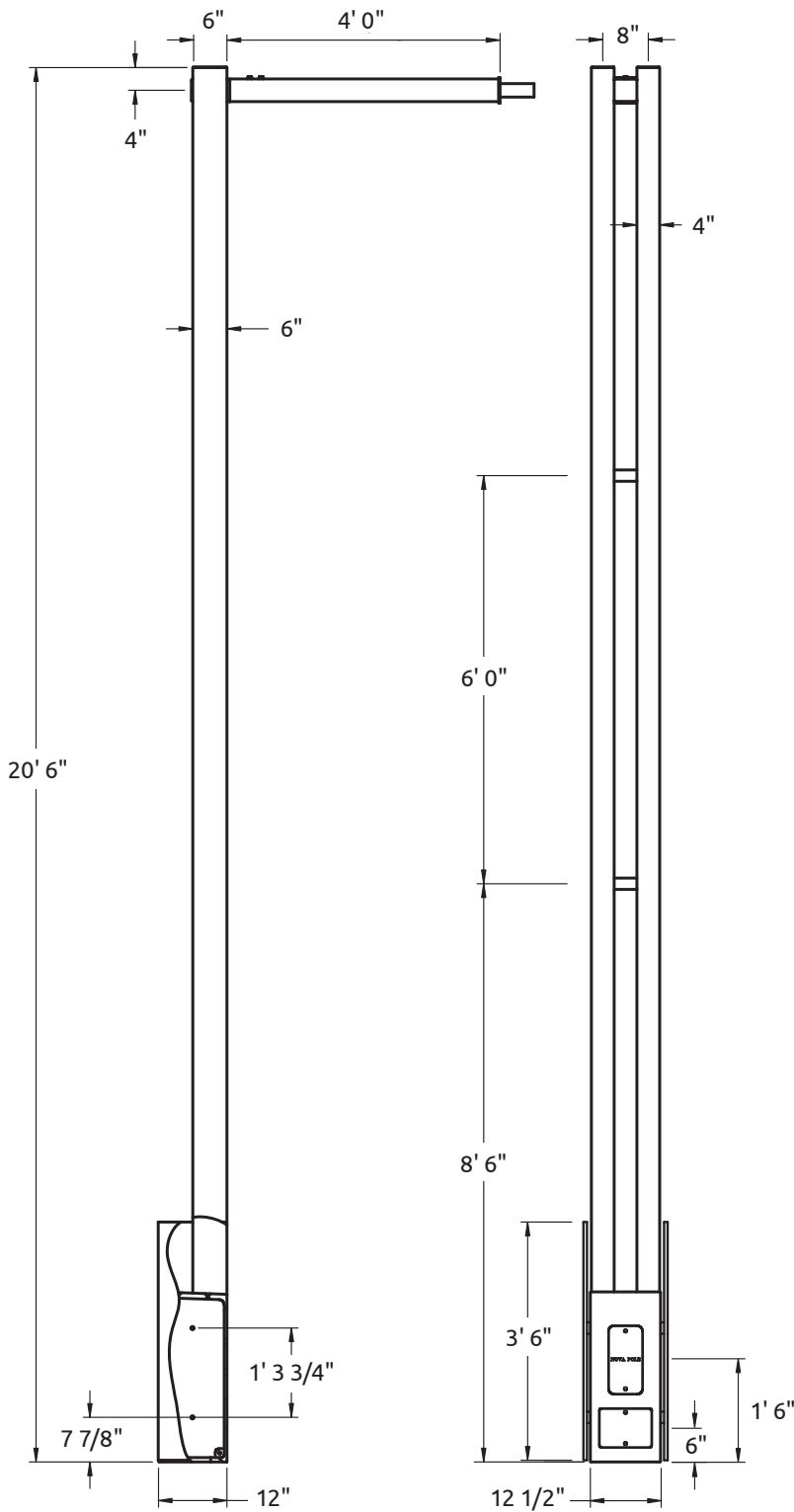
**20' 6" ALUMINUM POLE W/ DECORATIVE  
LOOK-A-LIKE WOOD PANEL BASE FEATURE  
W/ 4" FIXTURE ARM FINIAL**

- Pole supports one fixture (3 sq.ft EPA and 50lbs) and one fixture arm, is designed for 160km/h (gusted) wind speed in accordance to AASHTO 2013 STD.
- Decorative Wood Side Panel feature available in multiple wood look-a-like finish.
- All poles are supplied with nut covers, shims and top plastic cap.
- Pole designs based on AASHTO Standard Specifications for Structural Supports for Highway Signs, Luminaires, and Traffic Signals.
- Welding conforms to CSA W59.2, W47.2 standards.
- Contact Sales Team for custom sizes and/or applications.
- Specific information and details may be subject to change without notice.
- Please see [Warranty](#) and [Terms & Conditions](#) for further details.

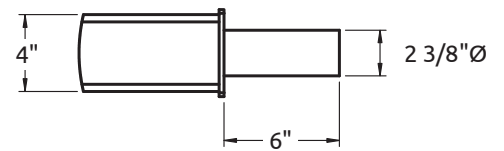


## Decorative Tandem Style Aluminum Pole - Heavy Duty

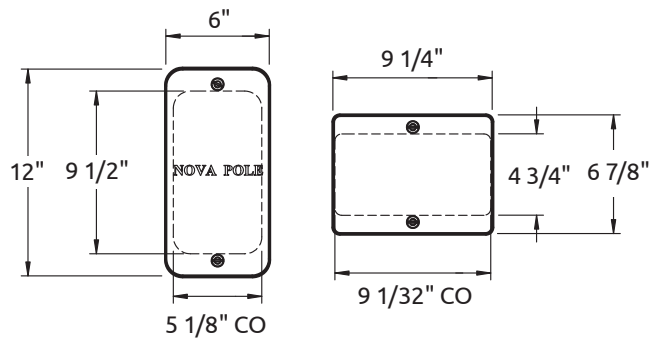
20' 6" ALUMINUM POLE W/  
DECORATIVE LOOK-A-LIKE WOOD  
PANEL BASE FEATURE W/ 4"  
FIXTURE ARM FINIAL



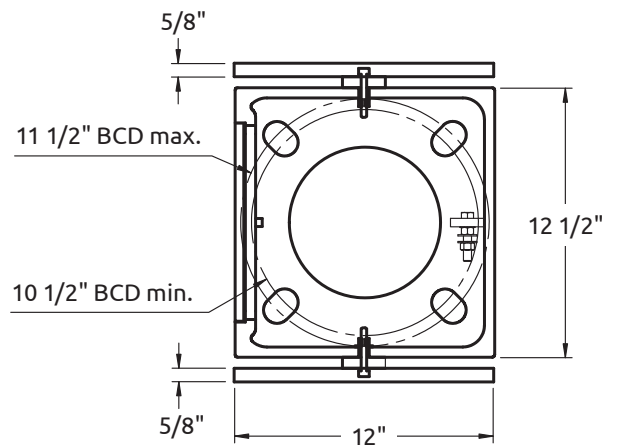
**POLE DETAILS**



**FIXTURE ARM**



**HAND HOLE COVERS**



**BASE DETAILS**

(1" x 36" Anchor Bolts)