

Shafts, Arms, Extensions and Davits

SHAFTS

Part Number	Description	Hwy. SN	Height (m)	Weight (kg)	Bolt Square (mm)	BcD (mm)	Anchor Bolt Diameter (mm)
102-75-70000L-F1	Type L Shaft	2052	6.75	442	276	390	38

SIGNAL ARMS

Part Number	Description	Hwy. SN	Reach (m)	Wt. (kg)
102-75-2003LE-F1	Type 3LE	2065	3.0	114
102-75-30003L-F1	Type 3L	2053	3.0	97
102-75-30004L-F1	Type 4L	2054	4.0	118
102-75-30005L-F1	Type 5L	2055	5.0	173
102-75-30006L-F1	Type 6L	2056	6.0	201
102-75-30007L-F1	Type 7L	2057	7.0	229
102-75-30008L-F1	Type 8L	2058	8.0	259
102-75-30009L-F1	Type 9L	2059	9.0	284
102-75-30010L-F1	Type 10L	2060	10.0	377
102-75-30011L-F1	Type 11L	2061	11.0	410

EXTENSIONS

Part Number	Description	Hwy. SN	Height (m)	Wt. (kg)
102-75-50425L-F1	Type 4.25L	2062	4.25	82
102-75-50175L-F1	Type 1.75L	2063	1.75	29
102-75-50025L-F1	Type 0.25L	2064	0.25	10
102-75-2003LS-F1	Type 3LS	2094A	3.0	135
102-75-2004LS-F1	Type 4LS	2094B	4.0	180
102-75-2005LS-F1	Type 5LS	2094C	5.0	225

SIGN ARMS

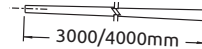
Part Number	Description	Hwy. SN	Reach (m)	Weight (kg)
102-75-30LA12-F1	Type LSA	2095	1.2	20
102-75-300XL1-F1	Type L1	2095A	3.0 - 11.0	39
102-75-300XL2-F1	Type L2	2095B	3.0 - 11.0	46

DAVITS

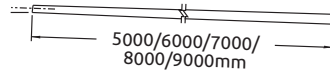
Part Number	Description	Hwy. SN	Height (m)	Reach (m)	Weight (kg)
102-75-60102A-F1	Type 2A Davit Arm	1832	2.5	2.5	35
102-75-60202C-F1	Type 2C Double Davit Arm	1833	2.5	2.5/2.5	65

Shafts, Arms, Extensions and Davits

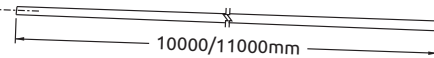
TYPE 3L 4L SIGNAL ARMS



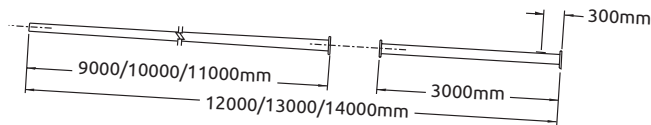
TYPE 5L 6L 7L 8L 9L SIGNAL ARMS



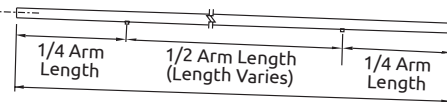
TYPE 10L 11L SIGNAL ARMS



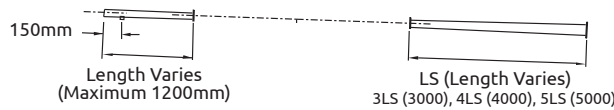
TYPE L SIGNAL ARMS



TYPE 3LE SIGNAL ARM EXTENSION

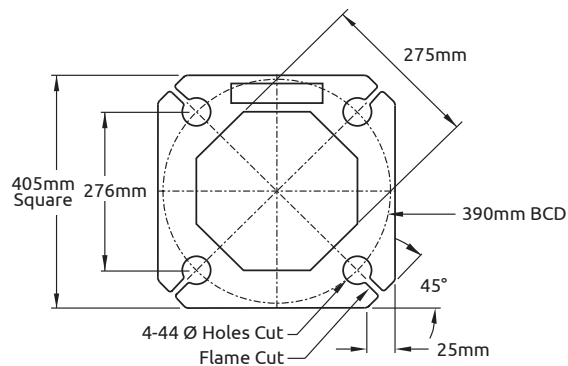


TYPE L1 L2 SIGN ARMS

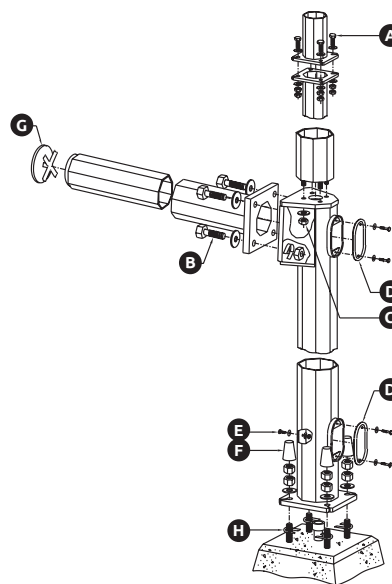


TYPE LSA SIGN ARM

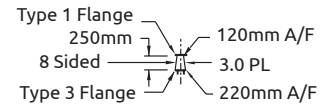
TYPE LS 3LS 4LS 5LS SIGN ARM EXTENSION



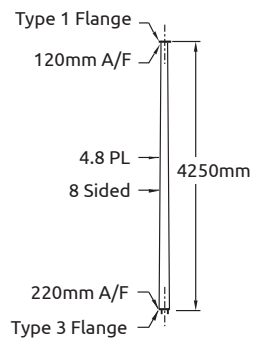
TYPE L BASE PLATE - PLAN VIEW



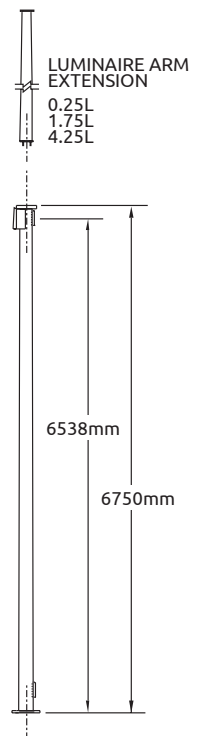
POLE ASSEMBLY DETAIL



TYPE 0.25L LUMINAIRE ARM EXTENSION



TYPE 4.25L LUMINAIRE ARM EXTENSION



TYPE L SHAFT