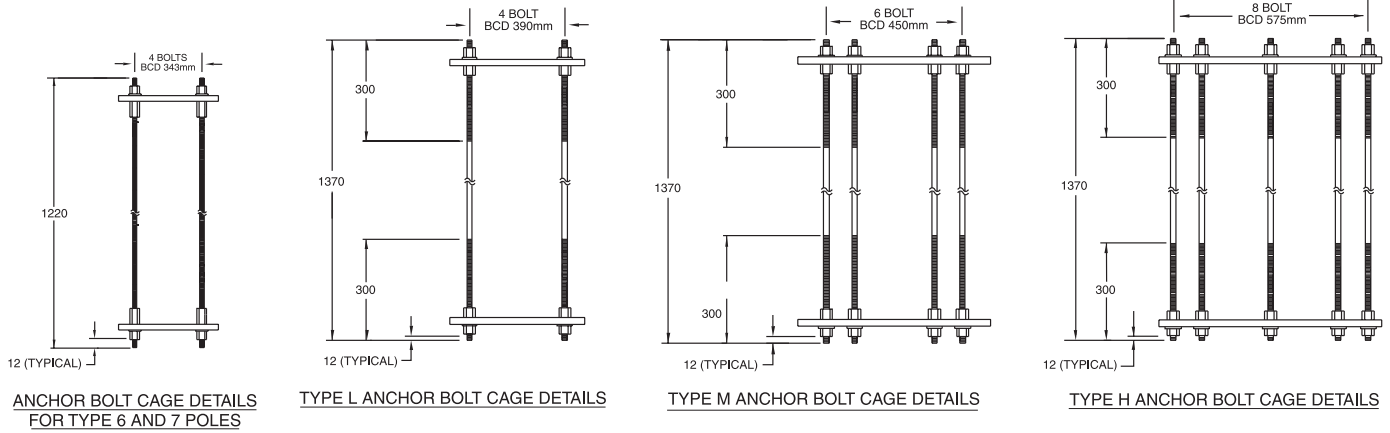
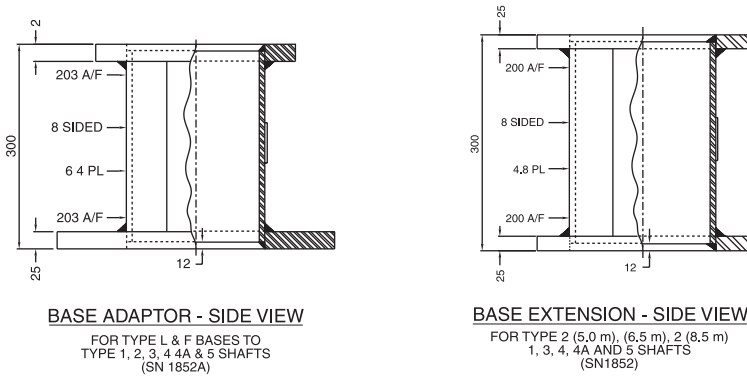




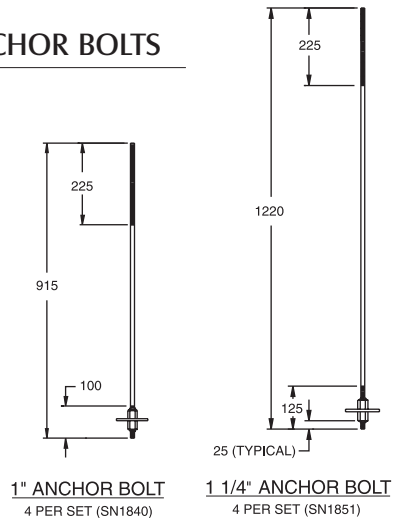
ANCHOR BOLT CAGES



BASE ADAPTOR/EXTENSION



ANCHOR BOLTS



BIRD GUARD

Protect your luminaire and pole investments from acidic excrement left by birds!

This non-conductive polycarbonate Bird Guard comes with U.V. inhibitors; it is manufactured in 2'0" strips and is clear in colour.

The Bird Guard includes mounting feet for screw application or it can be mounted with an adhesive cement. The standard width is 7" and it is flexible enough to be installed on curved surfaces.

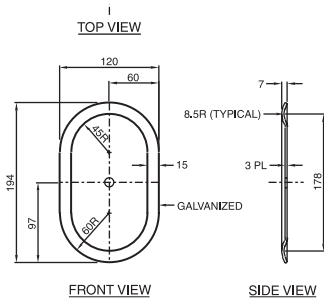


PLEASE NOTE:
SOME MEASUREMENTS SHOWN ARE METRIC

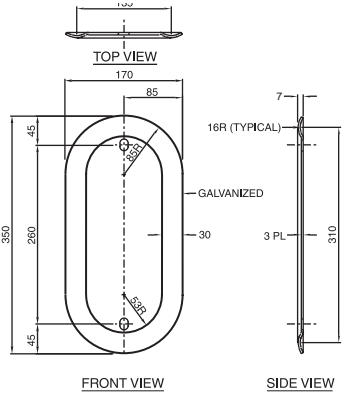




HANDHOLE COVERS

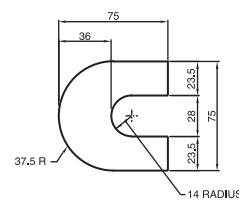


HANDHOLE COVER DETAILS
4 X 7 SMALL

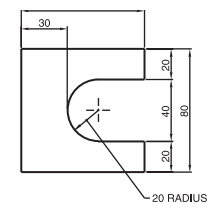


HANDHOLE COVER DETAILS
5 X 18 LARGE

LEVELING SHIMS

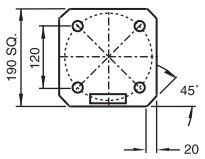


LEVELING SHIM
FOR 1" ANCHOR BOLTS

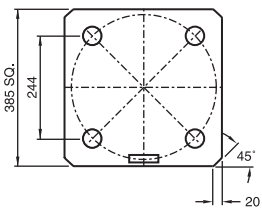


LEVELING SHIM
FOR 1 1/4" D/WIDAG AND
1 1/2" ANCHOR BOLTS

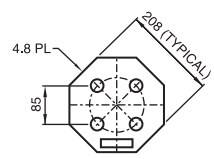
FLANGE COVERS



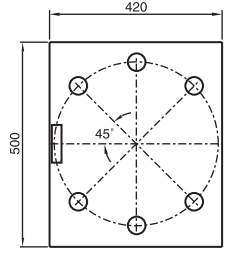
TYPE 1 & 1A FLANGE COVER



TYPE 2 FLANGE COVER
PLAN VIEW

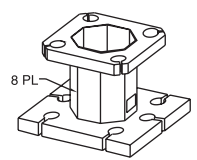


TYPE 3 FLANGE COVER
PLAN VIEW

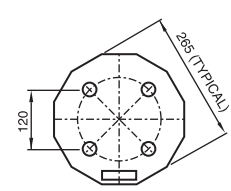


TYPE 4 FLANGE COVER
PLAN VIEW

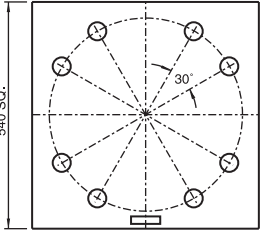
FLANGE ADAPTORS



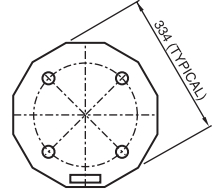
TYPE 4 TO TYPE 2
FLANGE ADAPTOR



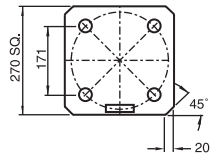
TYPE 5 FLANGE COVER
PLAN VIEW



TYPE 6 FLANGE COVER - PLAN VIEW
(SN2087)

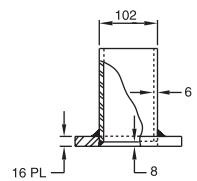


TYPE 7 FLANGE COVER
PLAN VIEW



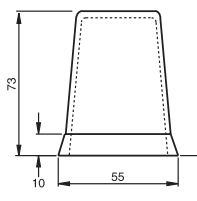
TYPE 8 FLANGE COVER
PLAN VIEW

POST TOP TENON

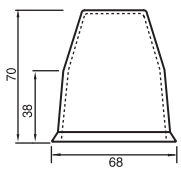


POST TOP TENON
WELDING DETAILS

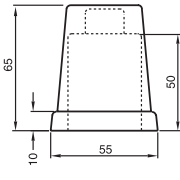
NUT COVERS



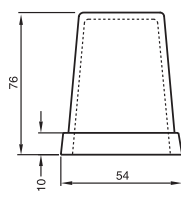
NUT COVER FOR 3/4" HEX NUT



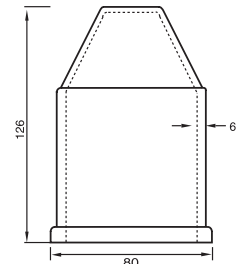
NUT COVER FOR 1 1/4" HEX NUT



NUT COVER FOR 1" HEX NUT
A4140 HEAVY DUTY



NUT COVER FOR 1" HEX NUT
A307 LIGHT DUTY



NUT COVER FOR 1 1/2" HEX NUT

PLEASE NOTE:
SOME MEASUREMENTS SHOWN ARE METRIC

