

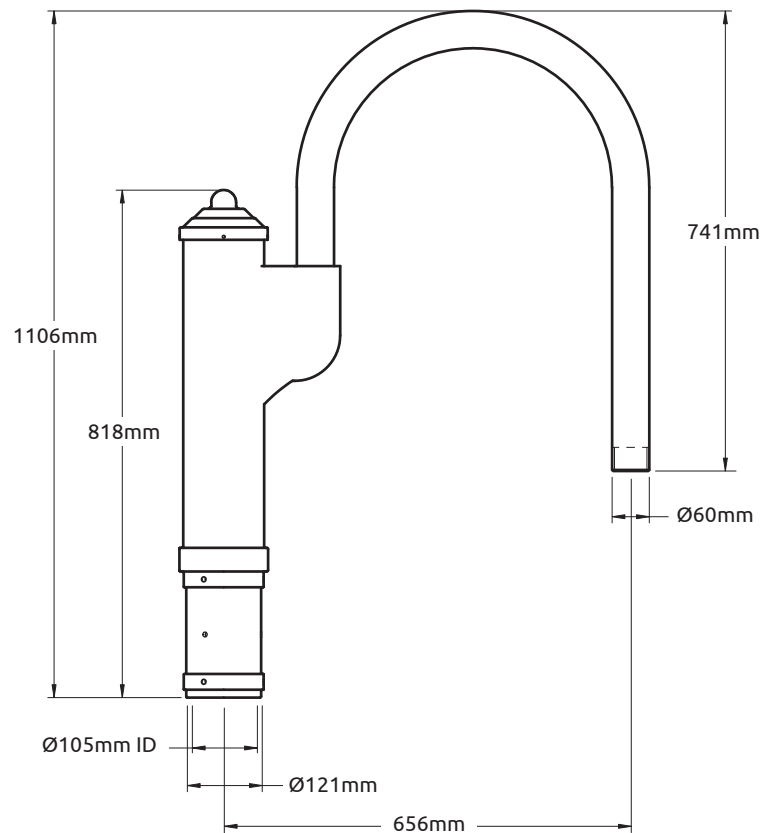
## Shepherd 3



**Aluminum Single  
Hook Arm**

Part #: [S15-50-ASH-S01](#)

TOTAL WEIGHT (KG): 12.09



# Size Chart

0' 1' 2'



**Shepherd 2**

0' 1' 2'



**Westminster**

0' 1' 2'



**Long Bay**

0' 1' 2'



**Ponderosa**

0' 1' 2'



**Shepherd 3**

0' 1' 2' 3'



**Shepherd 1**

0' 1' 2' 3'



**Marina**

0' 1' 2' 3' 4'



**Vernon**

0' 1' 2' 3' 4'



**Burke**

0' 1' 2' 3' 4'



**Riverside**

0' 1' 2' 3' 4'



**Heritage**

0' 1' 2' 3' 4' 5' 6'



**Hodgson**

0' 1' 2' 3' 4' 5' 6'



**Scroll 2**

0' 1' 2' 3' 4' 5' 6'



**Kansas**

0' 1' 2' 3' 4' 5' 6' 7'



**Lima**

0' 1' 2' 3' 4' 5' 6' 7' 8'



**Bronte**

0' 1' 2' 3' 4' 5' 6' 7' 8'



**Newport**

0' 1' 2' 3' 4' 5' 6' 7' 8'



**Scroll 1**

0' 1' 2' 3' 4' 5' 6' 7' 8'



**Truss 1**

0' 1' 2' 3' 4' 5' 6' 7' 8' 9' 10' 11' 12'



**Gullwing**

0' 1' 2' 3' 4' 5' 6' 7' 8' 9' 10' 11' 12' 13'



**Truss 2**