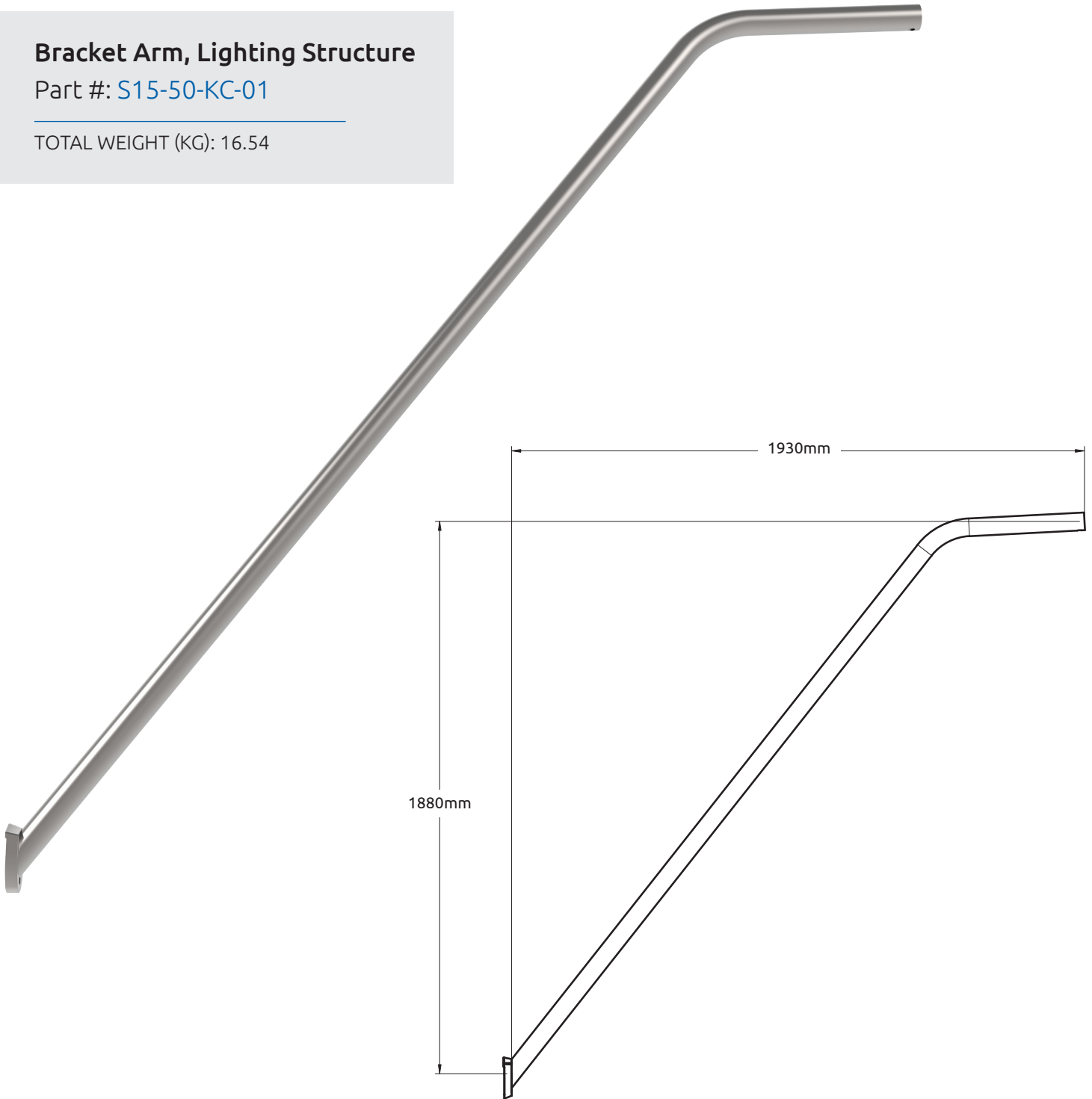


# Kansas

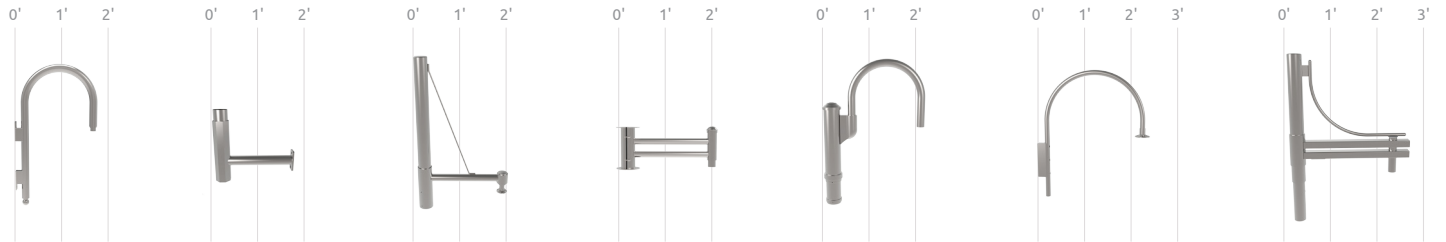
**Bracket Arm, Lighting Structure**

Part #: [S15-50-KC-01](#)

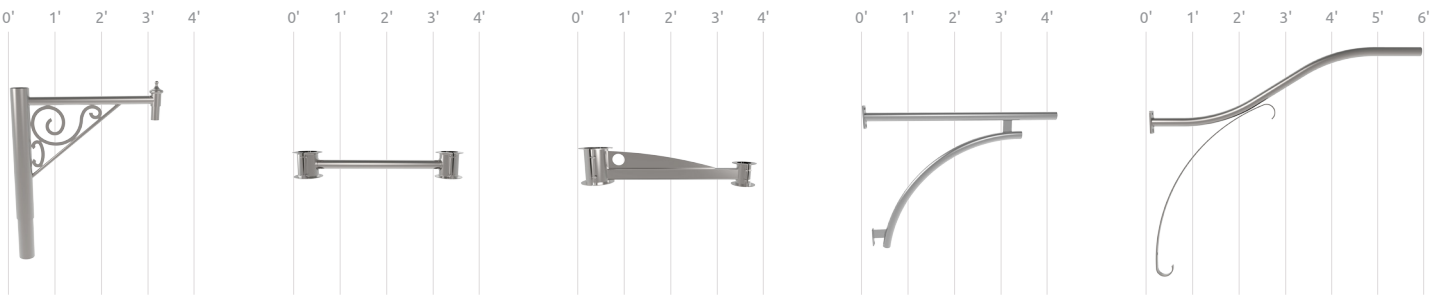
TOTAL WEIGHT (KG): 16.54



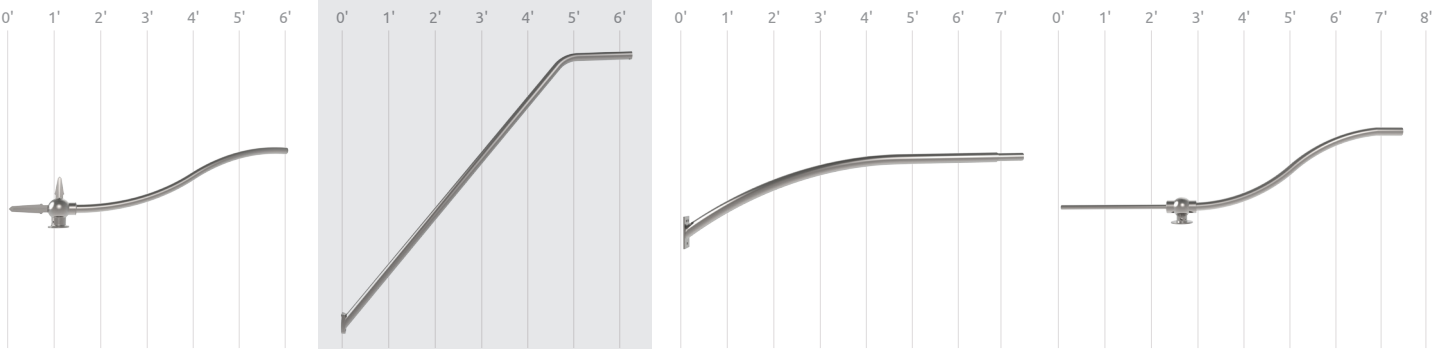
# Size Chart



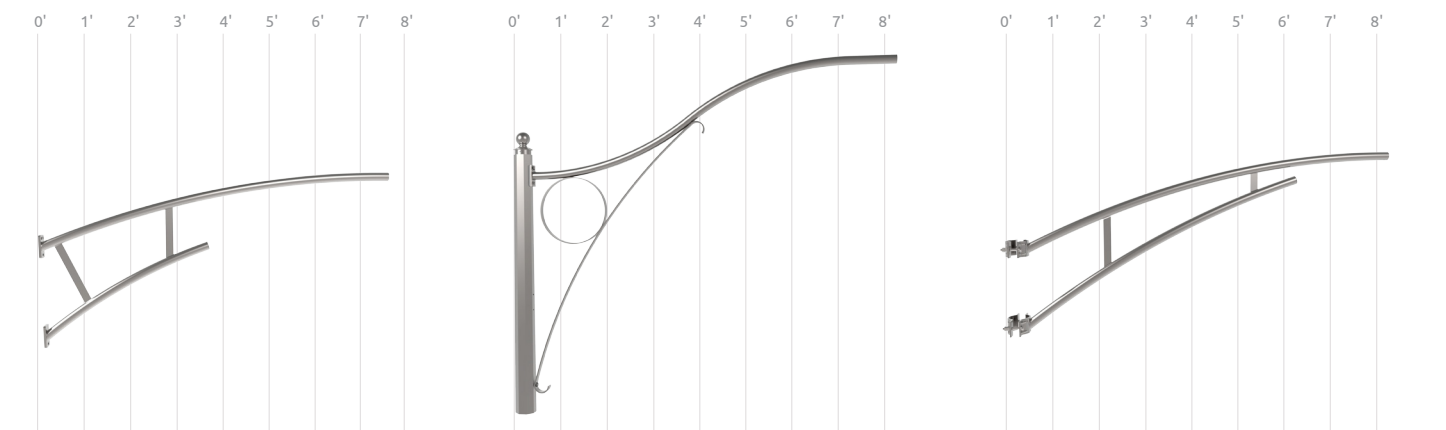
**Shepherd 2 Westminster Long Bay Ponderosa Shepherd 3 Shepherd 1 Marina**



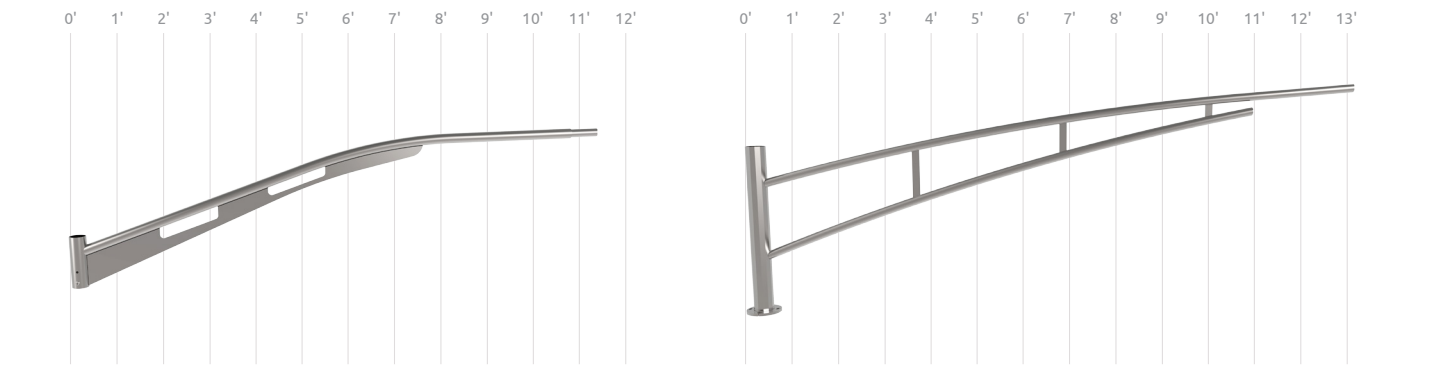
**Vernon Burke Riverside Heritage Hodgson**



**Scroll 2 Kansas Lima Bronte**



**Newport Scroll 1 Truss 1**



**Gullwing Truss 2**