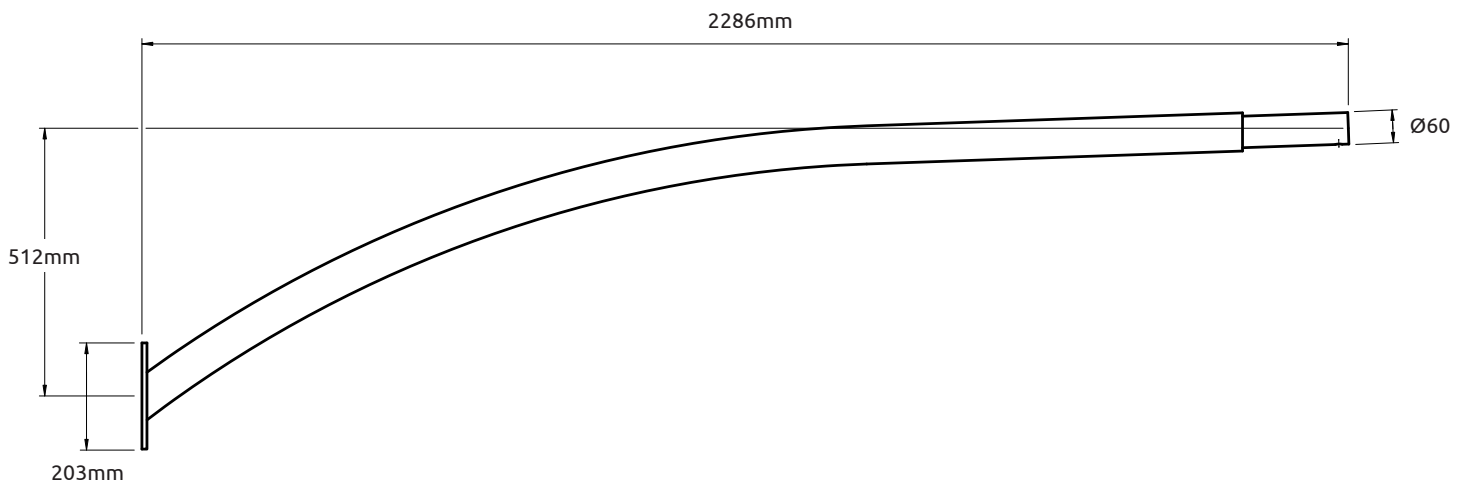


Lima

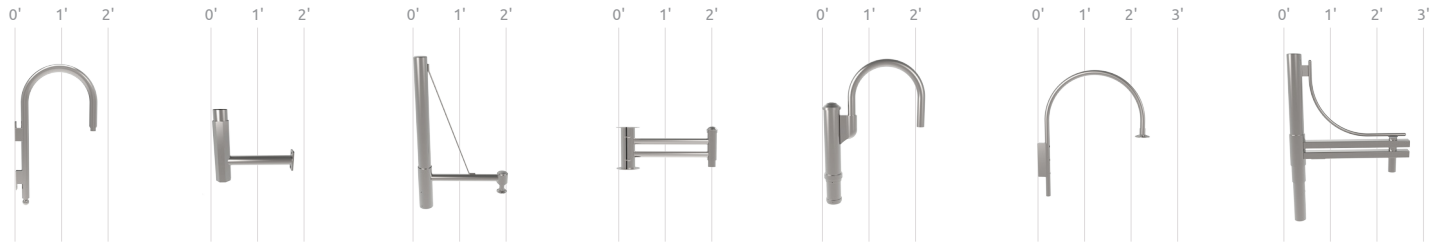
8' Pipe Arm

Part #: [S15-50-Pip-A01](#)

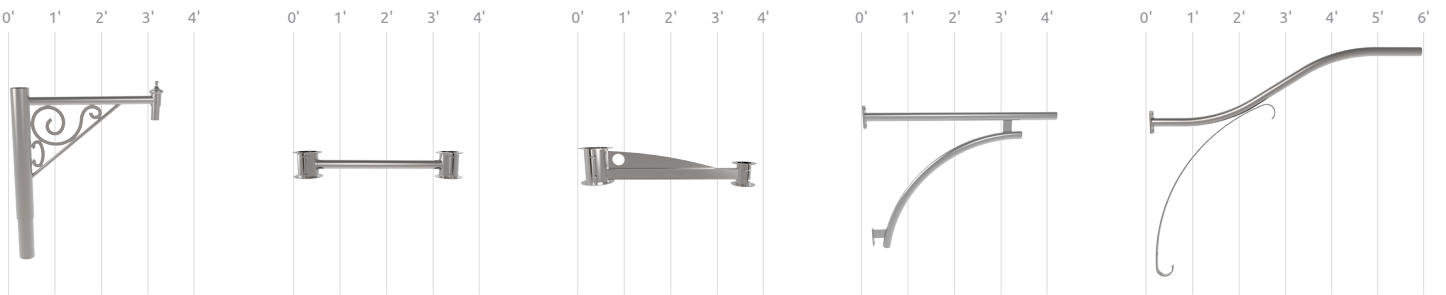
TOTAL WEIGHT (KG): 16.54



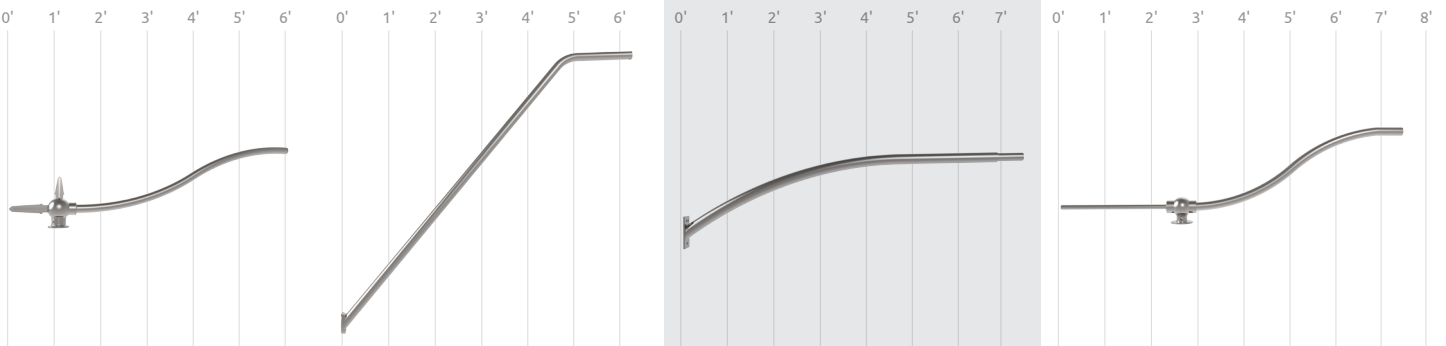
Size Chart



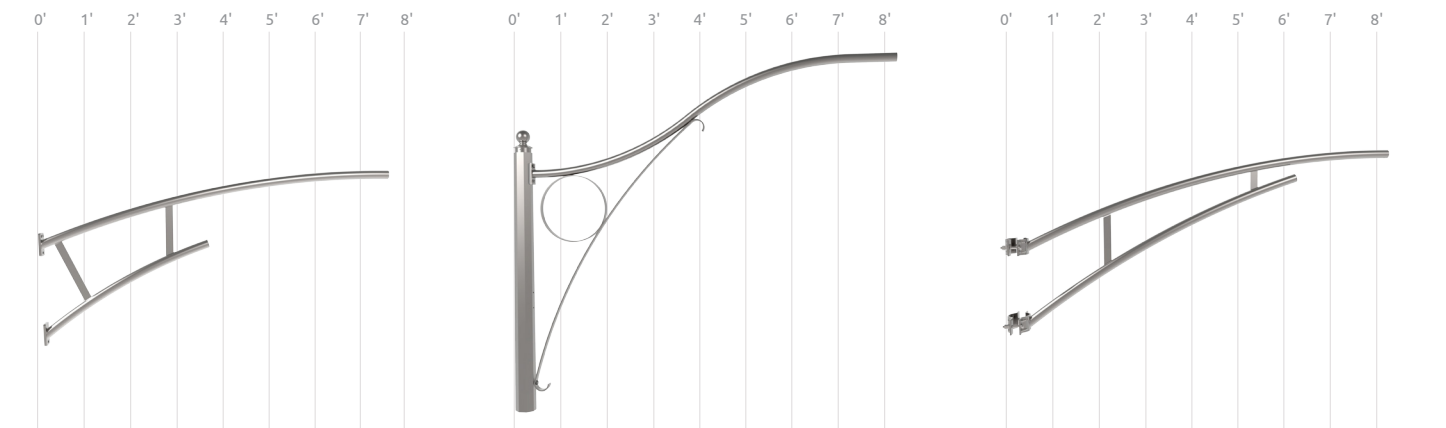
Shepherd 2 Westminster Long Bay Ponderosa Shepherd 3 Shepherd 1 Marina



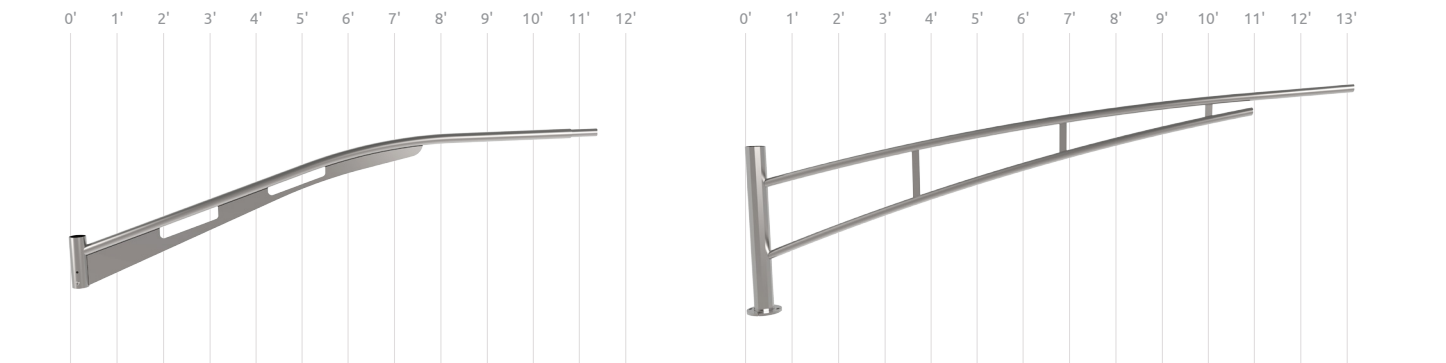
Vernon Burke Riverside Heritage Hodgson



Scroll 2 Kansas Lima Bronte



Newport Scroll 1 Truss 1



Gullwing Truss 2