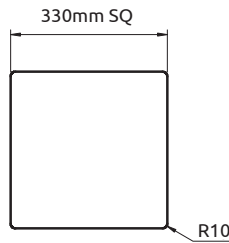
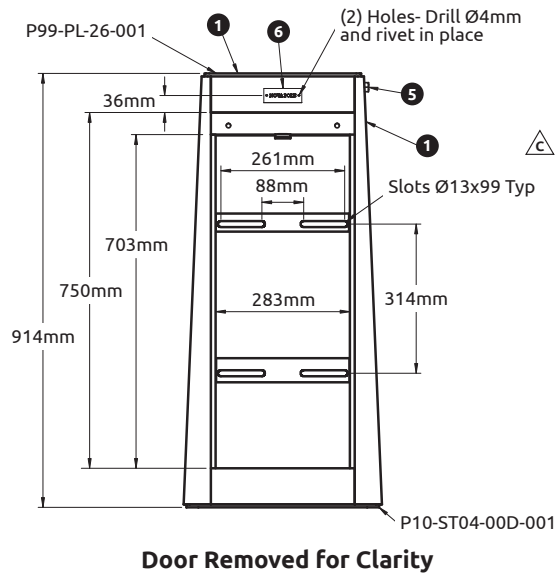
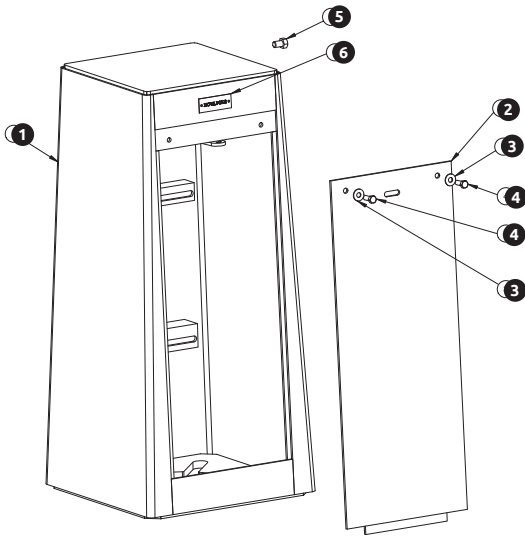
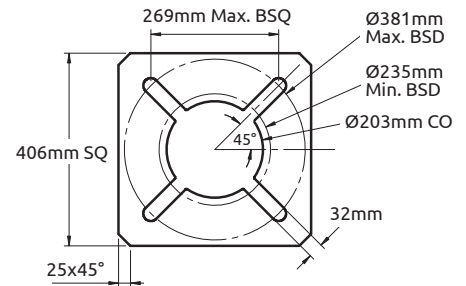


NTB36 Closed Top Service Base



**P99-PL-26-001
(Top Cover)**



**P10-ST04-00D-001
(Bottom Plate)**

| Item No. | Qty | Part No. | Description | Material | Unit Weight | Total Weight |
|----------|-----|---------------------|-------------------------------|-------------------|--------------------|--------------|
| 1 | 1 | 101-04-NTB36H-S | NTB36, Subassembly, Open Top | See Drawing | 68.6 | 68.6 |
| 2 | 1 | S57-TB-A01 | Door, Service Base | See Drawing | 8.6 | 8.6 |
| 3 | 6 | H70-SS-0.375 | Washer, Flat, Stainless Steel | 18-8 / Type316 SS | 0.0 | 0.0 |
| 4 | 6 | H10-SS-0.375X1.00-F | Bolt, Hex, SS, Full Thread | 18-8 / Type316 SS | 0.0 | 0.0 |
| 5 | 1 | H10-SS-0.500X0.75-F | Bolt, Hex, SS, Full Thread | 18-8 / Type316 SS | 0.0 | 0.0 |
| 6 | 2 | R20-40-CU-CA01 | Channel Unistrut | G40.21 300W | 1.1 | 2.2 |
| 7 | 4 | H40-SS-0.375 | Nut, Hex, Stainless Steel | 18-8 / Type316 SS | 0.0 | 0.0 |
| 8 | 1 | CS90-LB-A001 | Aluminum Name Plate | Aluminum | 0.0 | 0.0 |
| | | | | | Total Weight (kg)= | 84.17 |