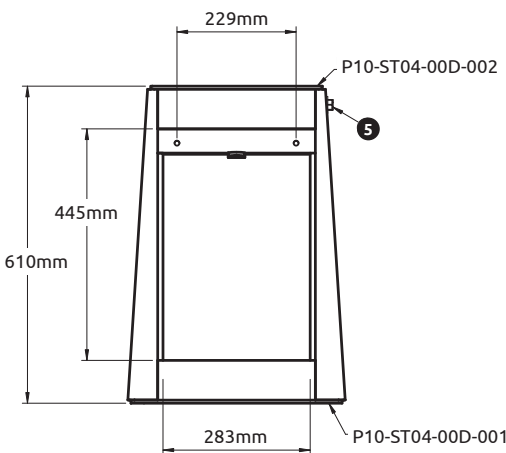
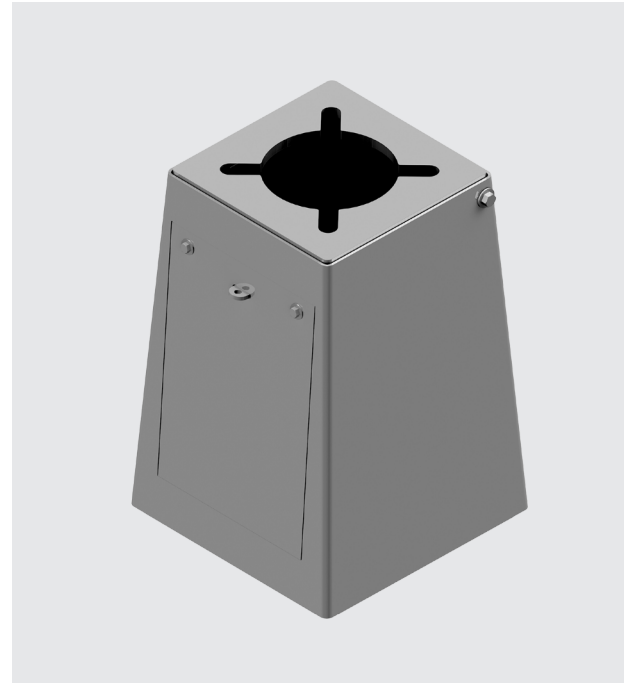
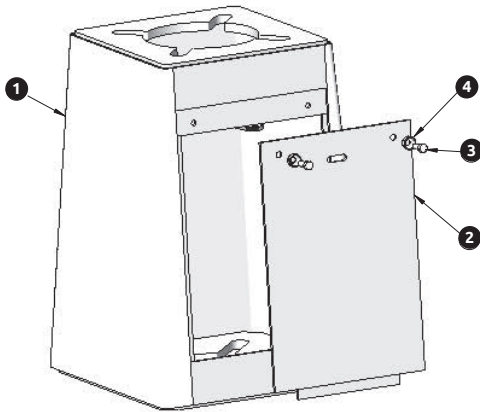
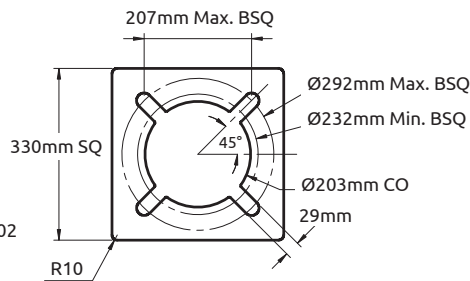


# NTB24

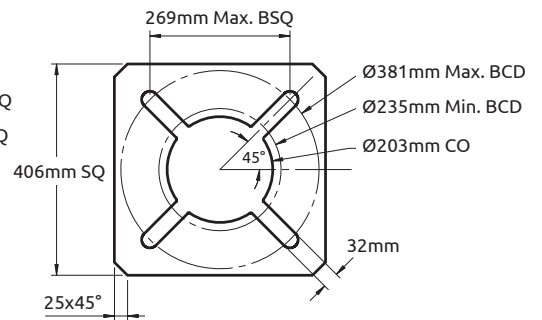
## Open Top Service Base



Door Removed for Clarity



**P10-ST04-00D-002**  
(Top Plate)



**P10-ST04-00D-001**  
(Bottom Plate)

Item No.	Qty	Part No.	Description	Material	Unit Weight	Total Weight
1	1	101-04-NTB24H-S	NTB24, Subassembly, Open Top	See Drawing	53.4	53.4
2	1	S57-TB-A04	Door, Transformer Base	See Drawing	5.2	5.2
3	2	H10-SS-0.375X1.00-F	Bolt, Hex, SS, Full Thread	18-8 / Type316 SS	0.0	0.0
4	2	H71-CW-SS-0.375	Washer, Cup, Stainless Steel	18-8 / Type316 SS	0.0	0.0
5	1	H10-SS-0.500X1.00-F	Bolt, Hex, SS, Full Thread	18-8 / Type316 SS	0.0	0.0
6	1	H40-SS-0.500	Nut, Hex, Stainless Steel	18-8 / Type316 SS	0.0	0.0
7	1	H70-SS-0.500	Washer, Flat, Stainless Steel	18-8 / Type316 SS	0.0	0.0
8	4	H10-A325-1.000X3.00	Bolt, Hex, Galvanized	ASTM A325 Type 1	0.5	2.0
9	4	H70-F436-G1.000	Washer, Flat, Structural, Galv.	ASTM F436	0.0	0.0
10	4	H40-A194-G1.000	Nut, Heavy Hex, Galv.	ASTM A563 Gr. DH	0.2	0.8
					Total Weight (kg)=	65.09