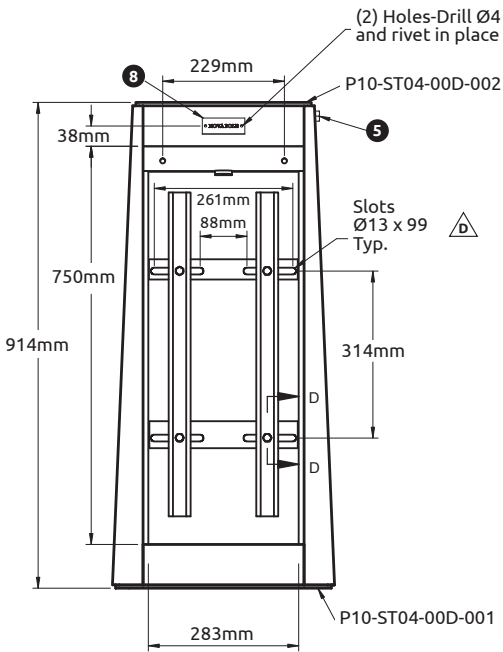
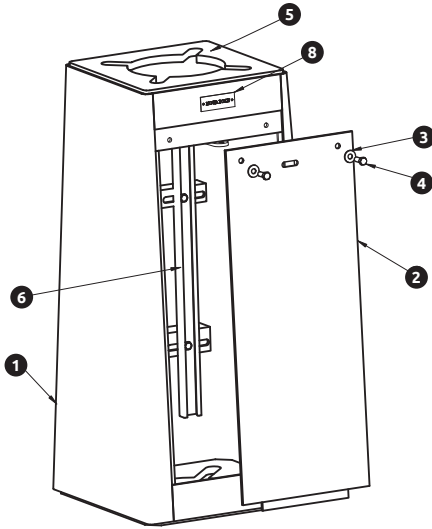
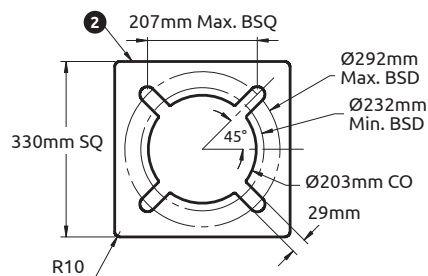


# NTB36

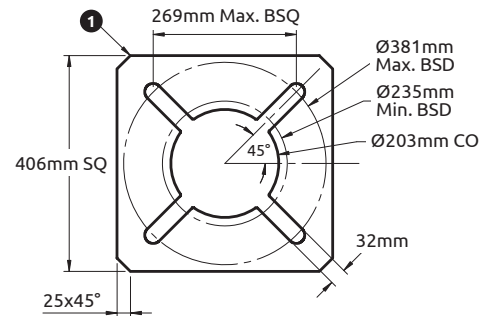
## Open Top Service Base



Door Removed for Clarity



P10-ST04-00D-002 (Top Plate)



P10-ST04-00D-001 (Bottom Plate)

Item No.	Qty	Part No.	Description	Material	Unit Weight	Total Weight
1	1	101-04-NTB36H-S	NTB36, Subassembly, Open Top	See Drawing	68.6	68.6
2	1	S57-TB-A01	Door, Service Base	See Drawing	8.6	8.6
3	6	H70-SS-0.375	Washer, Flat, Stainless Steel	18-8 / Type316 SS	0.0	0.0
4	6	H10-SS-0.375X1.00-F	Bolt, Hex, SS, Full Thread	18-8 / Type316 SS	0.0	0.0
5	1	H10-SS-0.500X0.75-F	Bolt, Hex, SS, Full Thread	18-8 / Type316 SS	0.0	0.0
6	2	R20-40-CU-CA01	Channel Unistrut	G40.21 300W	1.1	2.2
7	4	H40-SS-0.375	Nut, Hex, Stainless Steel	18-8 / Type316 SS	0.0	0.0
8	1	CS90-LB-A001	Aluminum Name Plate	Aluminum	0.0	0.0
Total Weight (kg)=					84.17	