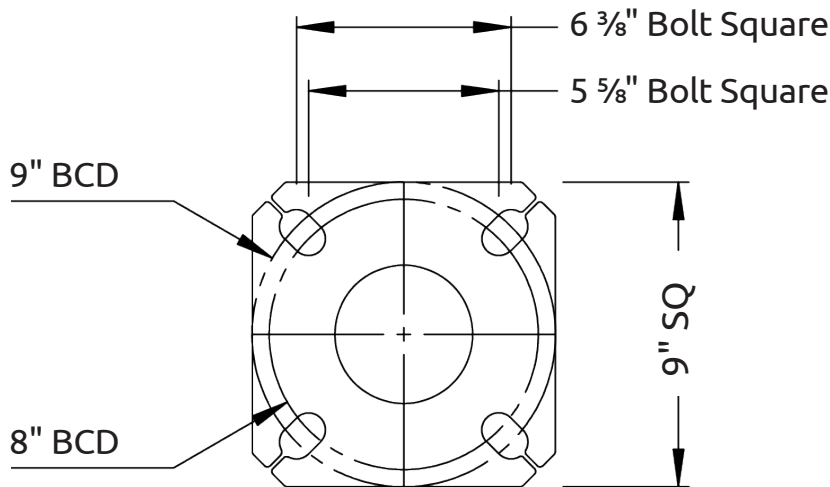


4" Straight Round Steel






NSR Type A
($\frac{3}{4}$ " x 24" Anchor Bolts)



- If supplied, the festoon box is installed at 5m height. Notify Nova Pole if different mounting height is required.
- Hand hole ring mounting height is 12" to centre and comes with (3"x5") hand hole cover
- Wind speeds (mph) in the table denote the maximum wind gust speed at the project site (i.e. gust factor included).
- Maximum EPA rating includes fixture(s) and supporting arm(s) and is for standard pole installation on concrete bases/footings.
- All poles are supplied with nut covers, shims and top plastic cap.
- Pole designs based on AASHTO Standard Specifications for Structural Supports for Highway Signs, Luminaires, and Traffic Signals.
- Contact Sales Team for custom sizes and/or applications.
- Specific information and details may be subject to change without notice.
- Please see [Warranty](#) and [Terms & Conditions](#).

CATALOGUE #		FIXTURE INFO
PROJECT NAME		
CITY		
PREPARED BY	DATE	
COMMENTS		
		QUANTITY
		EPA (sq.ft.)
		WEIGHT (lbs)

Catalogue #	Pole Height (ft)	Pole Weight (lbs)	Pole Type	Anchor Bolt Size	Base Plate Type	Maximum EPA (sq.ft.)			
						80MPH	90MPH	100MPH	110MPH
NSR410LD	10	67	LD	3/4" x 24"	A	18.0	14.0	11.0	9.0
NSR412LD	12	77	LD	3/4" x 24"	A	15.0	11.5	9.0	7.0
NSR416LD	16	98	LD	3/4" x 24"	A	10.0	7.5	5.5	4.5
NSR418LD	18	109	LD	3/4" x 24"	A	8.5	6.0	4.5	3.5
NSR420LD	20	119	LD	3/4" x 24"	A	7.0	5.0	3.5	2.5
NSR420MD	20	168	MD	3/4" x 24"	A	11.5	8.5	6.5	5.0
NSR424MD	24	199	MD	3/4" x 24"	A	8.0	5.5	4.0	2.8

Order Entry Info				
HEIGHT (ft)	MOUNTING TYPE <i>(See Note 1)</i>	FINISH TYPE	PC COLOUR	OPTIONS <i>(Click descriptions to view product)</i>
10 (LD)	 TOP TENON MOUNT TT238 - 2 3/8" x 5" tenon TT278 - 2 7/8" x 5" tenon TT350 - 3 1/2" x 5" tenon	PC - Powder Coated NTPC - Nova Tuff Powder Coated <i>(Colour Chart)</i>	WHT - White (RAL-9003) BLK - Black (BK50) DBZ - Dark Bronze (RAL-8019) GRY - Grey (RAL-7040) GRN - Green (RAL-6005) CC - Custom Colour (RAL-) <i>(Additional charges may apply)</i> N - None	<input type="checkbox"/> DUPR - 1110 Box Provision (Festoon Box) <input type="checkbox"/> DUPRGFI - 1110 Box Provision c/w 15A 120V GFI Receptacle and Weatherproof Cover <input type="checkbox"/> BCP - Type 4 Plastic Base Cover <input type="checkbox"/> BCCS - Type 4 Cast Square Base Cover <input type="checkbox"/> BCCR - Type 4 Cast Round Base Cover <input type="checkbox"/> HHSS - Hand Hole Security System <input type="checkbox"/> FBA1 - Flower Basket Arm One Side <i>(See Note 2)</i> <input type="checkbox"/> FBA2 - Flower Basket Arm Dual <i>(See Note 2)</i> <input type="checkbox"/> BA1 - Banner Arms One Side <i>(See Note 3)</i> <input type="checkbox"/> BA2 - Banner Arms Dual <i>(See Note 3)</i> <input type="checkbox"/> AB - Anchor Bolts <input type="checkbox"/> BH - Bullhorns <input type="checkbox"/> N - None
12 (LD)				
16 (LD)	 SIDE TENON MOUNT <i>Dimensions: 2 3/8" dia. x 5" long</i> ST1 - Single Head ST2180 - 2 Heads at 180 ST290 - 2 Heads at 90 ST390 - 3 Heads at 90 ST3120 - 3 Heads at 120 ST490 - 4 Heads at 90	GALV - Galvanized GALVPC - Galvanized and Powder Coated GALVNT - Galvanized and Nova Tuff Powder Coated <i>For PC or GALVPC, please select Colour from next column</i>	N - None	
18 (LD)				
20 (LD)	 DRILL PATTERN DP1 - Single Head DP2180 - 2 Heads at 180 DP290 - 2 Heads at 90 DP390 - 3 Heads at 90 DP3120 - 3 Heads at 120 DP490 - 4 Heads at 90 N - None	N - None		
20 (MD)				
24 (MD)				
Height	Mounting	Finish Type	PC Colour	Options
NSR4				

Pole Type: LD = Light Duty, MD = Medium Duty, HD = Heavy Duty

Sample Catalogue #: NSR416LD-ST1-GALVPC-BLK-HHSS-BA1

Note 1: Please provide fixture cutsheet.

Note 2: Please provide basket weight, arm length and mounting height.

Note 3: Please provide banner size and mounting height.

[Reset Order Entry Form](#)