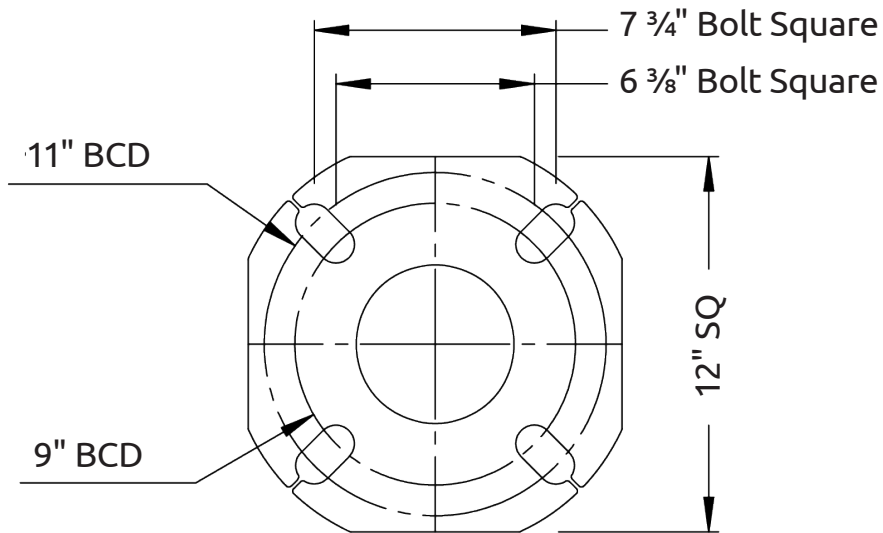


5" Straight Round Steel



NSR Type B




(1" x 36" Anchor Bolts)

- If supplied, the festoon box is installed at 5m height. Notify Nova Pole if different mounting height is required.
- Hand hole ring mounting height is 12" to centre and comes with (4"x7") hand hole cover
- Wind speeds (mph) in the table denote the maximum wind gust speed at the project site (i.e. gust factor included).
- Maximum EPA rating includes fixture(s) and supporting arm(s) and is for standard pole installation on concrete bases/footings.
- All poles are supplied with nut covers, shims and top plastic cap.
- Pole designs based on AASHTO Standard Specifications for Structural Supports for Highway Signs, Luminaires, and Traffic Signals.
- Contact Sales Team for custom sizes and/or applications.
- Specific information and details may be subject to change without notice.
- Please see [Warranty](#) and [Terms & Conditions](#).



CATALOGUE #		FIXTURE INFO
PROJECT NAME		
CITY		
PREPARED BY	DATE	
COMMENTS		
QUANTITY		
EPA (sq.ft.)		
WEIGHT (lbs)		

Catalogue #	Pole Height (ft)	Pole Weight (lbs)	Pole Type	Anchor Bolt Size	Base Plate Type	Maximum EPA (sq.ft.)			
						80MPH	90MPH	100MPH	110MPH
NSR512LD	12	110	LD	1" x 36"	B	24.0	18.5	15.0	12.5
NSR516LD	16	137	LD	1" x 36"	B	17.0	13.0	10.5	8.5
NSR516MD	16	187	MD	1" x 36"	B	26.0	20.0	16.0	13.5
NSR520LD	20	163	LD	1" x 36"	B	12.0	8.5	7.0	5.5
NSR520MD	20	226	MD	1" x 36"	B	19.0	14.5	11.5	9.5
NSR520HD	20	286	HD	1" x 36"	B	25.5	19.5	15.5	13.0
NSR524MD	24	264	MD	1" x 36"	B	14.0	10.0	8.0	6.5
NSR524HD	24	337	HD	1" x 36"	B	19.5	14.5	11.5	9.5
NSR530MD	30	322	MD	1" x 36"	B	8.5	5.5	4.0	3.0
NSR530HD	30	413	HD	1" x 36"	B	12.5	9.0	7.0	5.5

Order Entry Info				
HEIGHT (ft)	MOUNTING TYPE (See Note 1)	FINISH TYPE	PC COLOUR	OPTIONS (Click descriptions to view product)
12 (LD)	 TOP TENON MOUNT TT238 - 2 3/8" x 5" tenon TT278 - 2 7/8" x 5" tenon TT350 - 3 1/2" x 5" tenon TT400 - 4" x 5" tenon	PC - Powder Coated NTPC - Nova Tuff Powder Coated (Colour Chart)	WHT - White (RAL-9003) BLK - Black (BK50) DBZ - Dark Bronze (RAL-8019) GRY - Grey (RAL-7040) GRN - Green (RAL-6005) CC - Custom Colour (RAL-) (Additional charges may apply) N - None	<input type="checkbox"/> DUPR - 1110 Box Provision (Festoon Box) <input type="checkbox"/> DUPRGI - 1110 Box Provision c/w 15A 120V GFI Receptacle and Weatherproof Cover <input type="checkbox"/> BCP - Type 5 Plastic Base Cover <input type="checkbox"/> BCCS - Type 5 Cast Square Base Cover <input type="checkbox"/> BCCR - Type 5 Cast Round Base Cover <input type="checkbox"/> HHSS - Hand Hole Security System <input type="checkbox"/> FBA1 - Flower Basket Arm One Side (See Note 2) <input type="checkbox"/> FBA2 - Flower Basket Arm Dual (See Note 2) <input type="checkbox"/> BA1 - Banner Arms One Side (See Note 3) <input type="checkbox"/> BA2 - Banner Arms Dual (See Note 3) <input type="checkbox"/> AB - Anchor Bolts <input type="checkbox"/> BH - Bullhorns <input type="checkbox"/> N - None
16 (LD)				
16 (MD)	 SIDE TENON MOUNT Dimensions: 2 3/8" dia. x 5" long ST1 - Single Head ST2180 - 2 Heads at 180 ST290 - 2 Heads at 90 ST390 - 3 Heads at 90 ST3120 - 3 Heads at 120 ST490 - 4 Heads at 90	GALV - Galvanized GALVPC - Galvanized and Powder Coated GALVNT - Galvanized and Nova Tuff Powder Coated For PC or GALVPC, please select Colour from next column	For Nova Tuff, please provide RAL# under CC	
20 (LD)				
20 (MD)				
20 (HD)				
24 (MD)	 DRILL PATTERN DP1 - Single Head DP2180 - 2 Heads at 180 DP290 - 2 Heads at 90 DP390 - 3 Heads at 90 DP3120 - 3 Heads at 120 DP490 - 4 Heads at 90 N - None			
24 (HD)				
30 (MD)				
30 (HD)				
Height	Mounting	Finish Type	PC Colour	Options
NSR5				

Pole Type: LD = Light Duty, MD = Medium Duty, HD = Heavy Duty

Sample Catalogue #: NSR516LD-ST1-GALVPC-BLK-HHSS-BA1

Note 1: Please provide fixture cutsheet.

Note 2: Please provide basket weight, arm length and mounting height.

Note 3: Please provide banner size and mounting height.

Reset Order Entry Form 