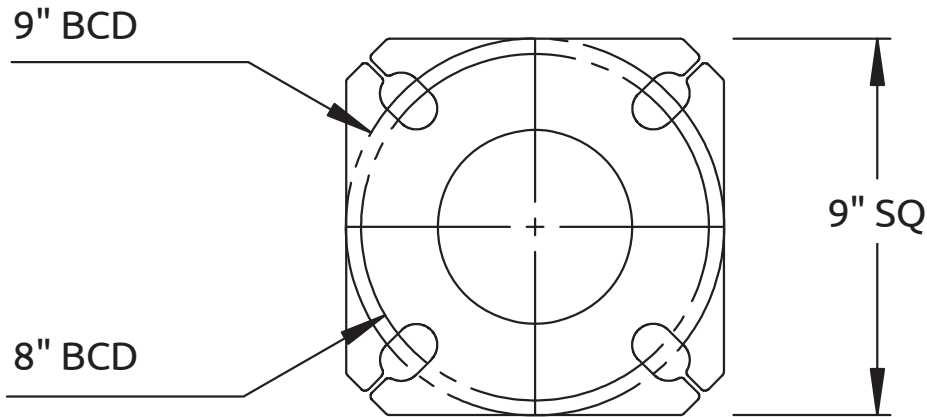


5" Round Tapered Aluminum



NRTA6 Base

(1" Anchor Bolts)

- Hand hole ring mounting height is 18" to centre and comes with (3"x5") hand hole cover
- Maximum Height is 25ft
- Wind speeds (mph) in the table denote the maximum wind gust speed at the project site (i.e. gust factor included).
- Maximum EPA rating includes fixture(s) and supporting arm(s) and is for standard pole installation on concrete bases/footings.
- Pole designs based on AASHTO Standard Specifications for Structural Supports for Highway Signs, Luminaires, and Traffic Signals.
- Specific information and details may be subject to change without notice.
- Contact Sales Team for custom sizes and/or applications.
- Please see Warranty and Terms & Conditions.



CATALOGUE #			
PROJECT NAME			
CITY			
PREPARED BY		DATE	
CITY			

Catalogue #	Pole Height (ft)	Bottom Diameter (in)	Top Diameter (in)	Pole Type	Anchor Bolt Diameter (in)	Maximum EPA (sq.ft.)			
						100MPH	110MPH	130MPH	150MPH
NRTA515XLD	15	5	3	XLD	1	4.5	3.5	2.5	1.5
NRTA515LD	15	5	3	LD	1	6.5	5.0	3.5	2.0
NRTA515MD	15	5	3	MD	1	8.0	6.5	4.5	3.0
NRTA515HD	15	5	3	HD	1	11.0	9.0	6.0	4.5
NRTA520XLD	20	5	3	XLD	1	2.0	1.5	N/A	N/A
NRTA520LD	20	5	3	LD	1	4.5	2.5	1.5	N/A
NRTA520MD	20	5	3	MD	1	4.5	3.5	2.0	1.5
NRTA520HD	25	5	3	HD	1	7.0	5.5	3.5	2.5
NRTA525XLD	25	5	3	XLD	1	N/A	N/A	N/A	N/A
NRTA525LD	25	5	3	LD	1	1.0	1.0	N/A	N/A
NRTA525MD	25	5	3	MD	1	2.0	1.5	N/A	N/A
NRTA525HD	25	5	3	LD	1	4.0	3.0	2.0	1.0

Pole Type Wall Thickness: XLD = 0.125", LD = 0.156", MD = 0.188", HD = 0.25"