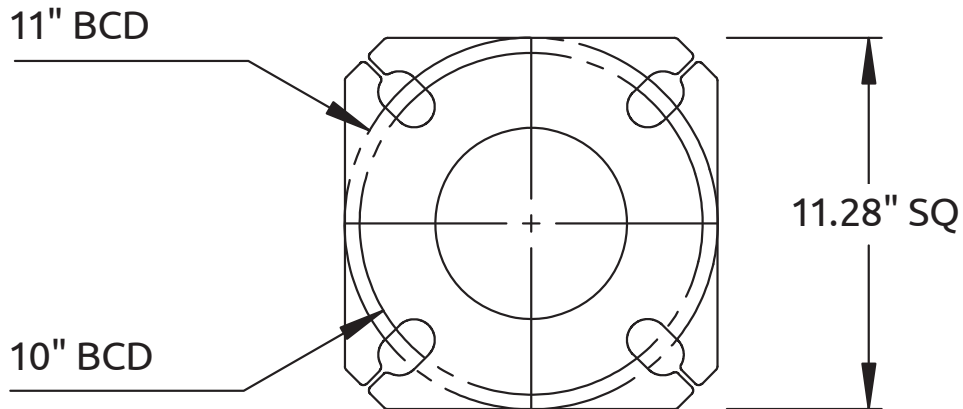


## 7" Round Tapered Aluminum



### NRTA7 Base

(1" Anchor Bolts)



- Hand hole ring mounting height is 18" to centre and comes with (4"x7") hand hole cover
- Maximum Height is 35ft
- Wind speeds (mph) in the table denote the maximum wind gust speed at the project site (i.e. gust factor included).
- Maximum EPA rating includes fixture(s) and supporting arm(s) and is for standard pole installation on concrete bases/footings.
- Pole designs based on AASHTO Standard Specifications for Structural Supports for Highway Signs, Luminaires, and Traffic Signals.
- Specific information and details may be subject to change without notice.
- Contact Sales Team for custom sizes and/or applications.
- Please see Warranty and Terms & Conditions.

<b>CATALOGUE #</b>			
<b>PROJECT NAME</b>			
<b>CITY</b>			
<b>PREPARED BY</b>		<b>DATE</b>	
<b>CITY</b>			

Catalogue #	Pole Height (ft)	Bottom Diameter (in)	Top Diameter (in)	Pole Type	Anchor Bolt Diameter (in)	Maximum EPA (sq.ft.)			
						100MPH	110MPH	130MPH	150MPH
NRTA715LD	15	7	5	LD	1	15.0	12.5	8.5	6.0
NRTA715MD	15	7	5	MD	1	18.5	15.0	10.5	8.0
NRTA715HD	15	7	5	HD	1	25.0	20.5	14.5	10.5
NRTA720LD	20	7	5	LD	1	10.0	8.0	5.5	4.0
NRTA720MD	20	7	5	MD	1	12.5	10.0	7.0	5.0
NRTA720HD	20	7	5	HD	1	17.5	14.0	10.0	7.0
NRTA725LD	25	7	5	LD	1	6.5	5.0	3.5	2.0
NRTA725MD	25	7	5	MD	1	8.5	7.0	4.5	3.0
NRTA725HD	25	7	5	HD	1	12.5	10.0	7.0	5.0
NRTA730LD	30	7	5	LD	1	3.5	3.0	1.5	1.0
NRTA730MD	30	7	5	MD	1	5.5	4.0	2.5	1.5
NRTA730HD	30	7	5	HD	1	8.0	6.5	4.5	3.0

**Pole Type Wall Thickness:** XLD = 0.125", LD = 0.156", MD = 0.188", HD = 0.25"