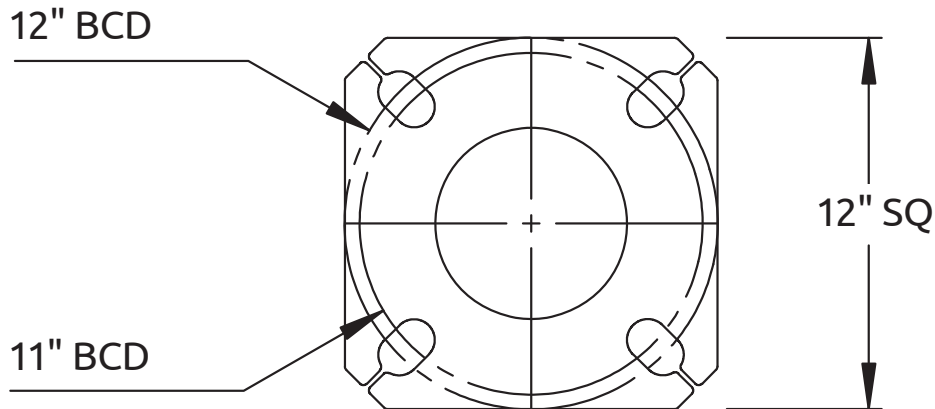


8" Round Tapered Aluminum



NRTA8 Base

(1" Anchor Bolts)

- Hand hole ring mounting height is 18" to centre and comes with (4"x8") hand hole cover
- Maximum Height is 40ft
- Wind speeds (mph) in the table denote the maximum wind gust speed at the project site (i.e. gust factor included).
- Maximum EPA rating includes fixture(s) and supporting arm(s) and is for standard pole installation on concrete bases/footings.
- Pole designs based on AASHTO Standard Specifications for Structural Supports for Highway Signs, Luminaires, and Traffic Signals.
- Specific information and details may be subject to change without notice.
- Contact Sales Team for custom sizes and/or applications.
- Please see Warranty and Terms & Conditions.



CATALOGUE #			
PROJECT NAME			
CITY			
PREPARED BY		DATE	
CITY			

Catalogue #	Pole Height (ft)	Bottom Diameter (in)	Top Diameter (in)	Pole Type	Anchor Bolt Diameter (in)	Maximum EPA (sq.ft.)			
						100MPH	110MPH	130MPH	150MPH
NRTA815MD	15	8	5	MD	1	25.0	20.5	14.5	10.5
NRTA815HD	15	8	5	HD	1	33.5	27.5	19.5	14.5
NRTA820MD	20	8	5	MD	1	17.5	14.5	10	7.0
NRTA820HD	20	8	5	HD	1	24.0	19.5	13.5	9.5
NRTA825MD	25	8	5	MD	1	13.0	10.0	7.0	4.5
NRTA825HD	25	8	5	HD	1	18.0	14.5	10.0	7.0
NRTA830MD	30	8	5	MD	1	8.5	6.5	4.5	2.5
NRTA830HD	30	8	5	HD	1	12.5	10.0	6.5	4.5
NRTA835MD	35	8	5	MD	1	6.0	4.0	3.0	1.5
NRTA835HD	35	8	5	HD	1	9.0	7.5	5.0	2.5
NRTA840MD	40	8	5	MD	1	4.0	3.0	1.5	N/A
NRTA840HD	40	8	5	HD	1	6.5	5.0	3.0	1.5

Pole Type Wall Thickness: XLD = 0.125", LD = 0.156", MD = 0.188", HD = 0.25"