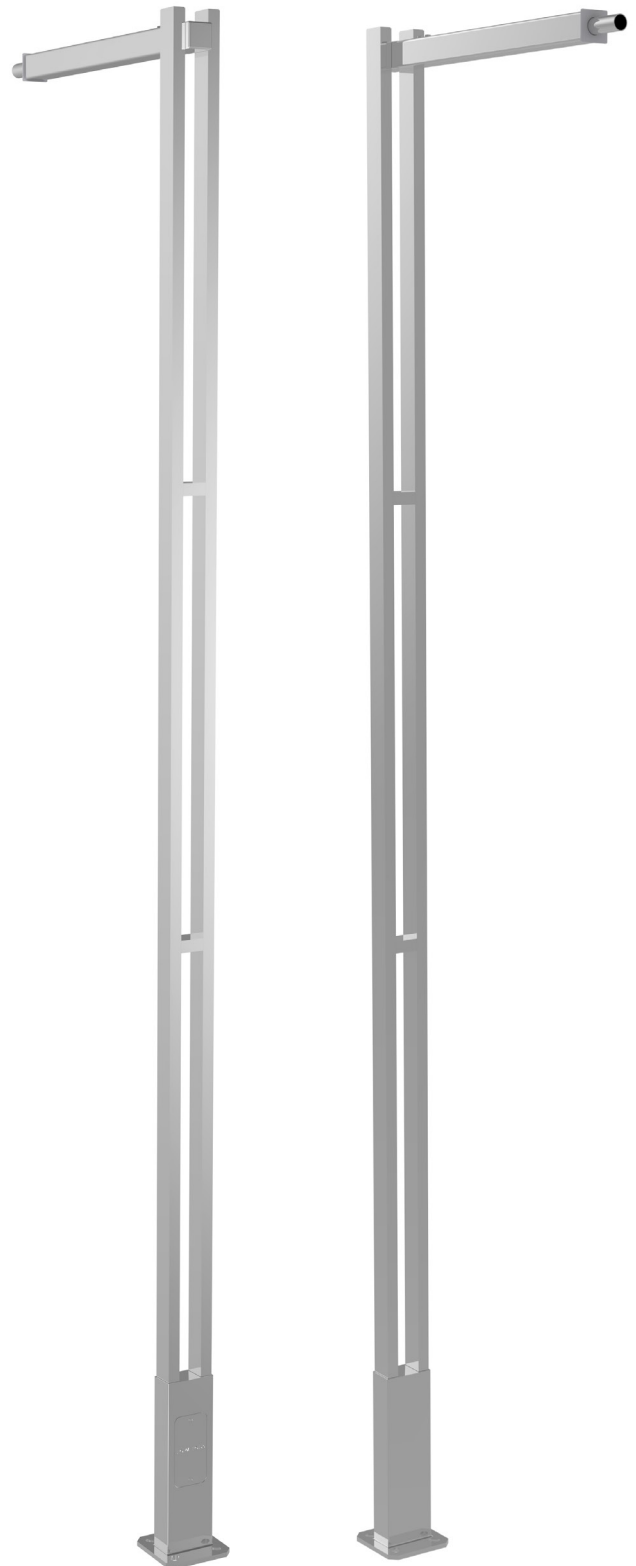


## Decorative Tandem Style Aluminum Pole - Light Duty

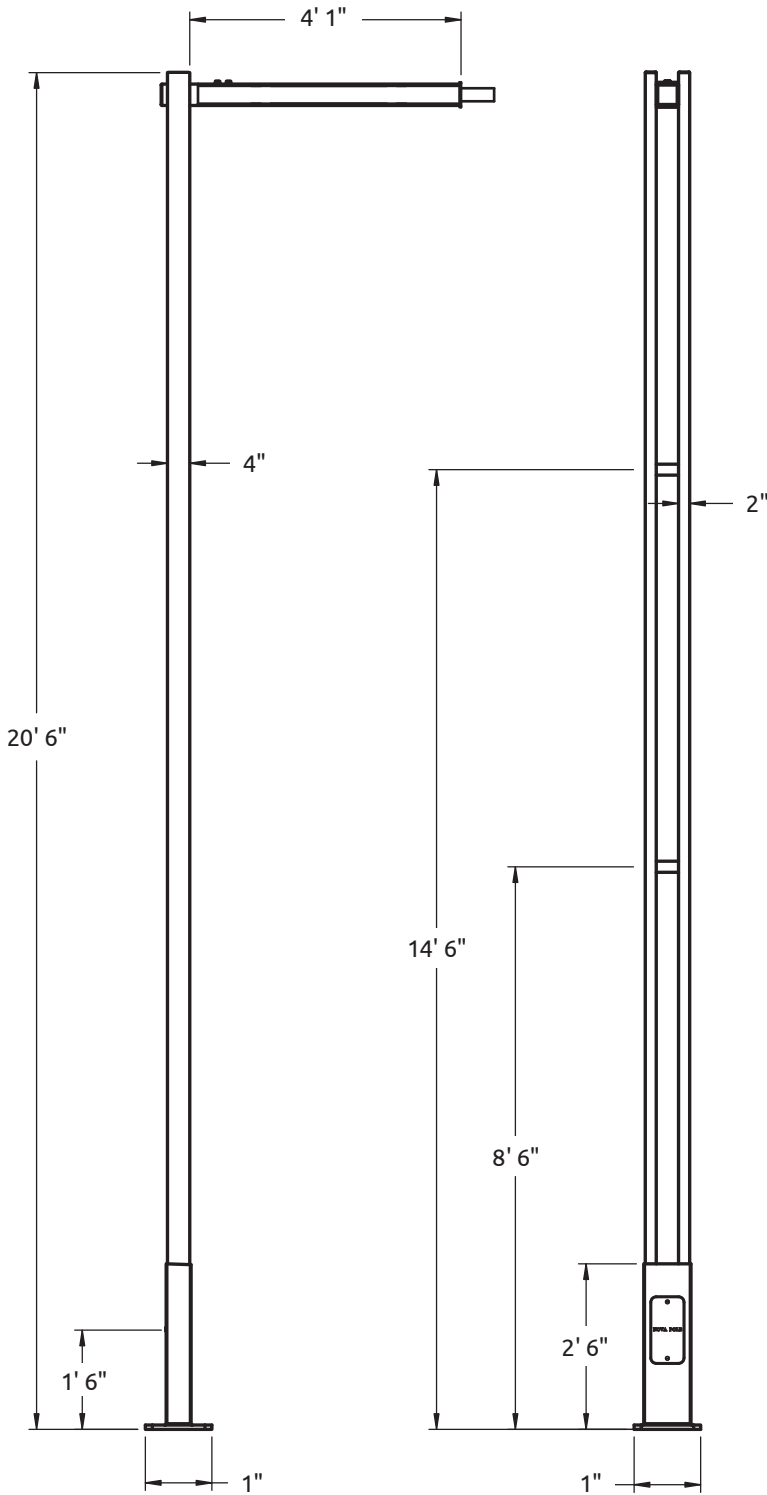
### 20' 6" ALUMINUM POLE W/ 4" FIXTURE ARM FINIAL

- Pole supports one fixture (3 sq.ft EPA and 50lbs) and one fixture arm, is designed for 160km/h (gusted) wind speed in accordance to AASHTO 2013 STD.
- Hand hole height 1' 6" to centre.
- All poles are supplied with nut covers, shims and top plastic cap.
- Pole designs based on AASHTO Standard Specifications for Structural Supports for Highway Signs, Luminaires, and Traffic Signals.
- Welding conforms to CSA W59.2, W47.2 standards.
- Contact Sales Team for custom sizes and/or applications.
- Specific information and details may be subject to change without notice.
- Please see [Warranty](#) and [Terms & Conditions](#) for further details.

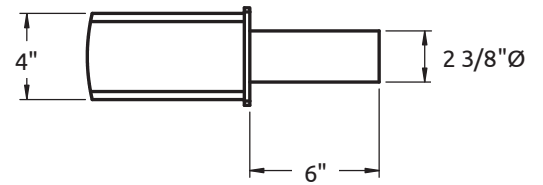


## Decorative Tandem Style Aluminum Pole - Light Duty

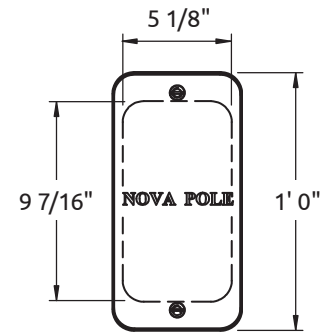
20' 6" ALUMINUM POLE W/ 4" FIXTURE ARM FINIAL



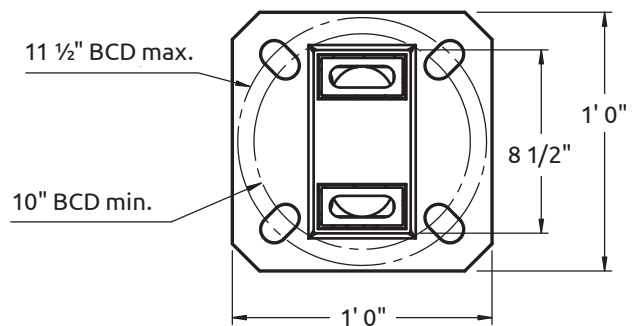
**POLE DETAILS**



**FIXTURE ARM**



**HAND HOLE COVER**



**BASE DETAILS**

(1" x 36" Anchor Bolts)