

## Shafts and Arms

### SHAFTS

Part Number	Description	Hwy. SN	Height (m)	Reach (m)	Weight (kg)	Bolt Square (mm)	BcD (mm)	Anchor Bolt Diameter (mm)
102-75-400165-F1	Type 1 Shaft	1821	6.5	2.5	195	197	280	25 (1")
102-75-400185-F1	Type 1 Shaft	1822	8.5	2.5	209	197	280	25 (1")
102-75-400369-F1	Type 3 Shaft	1826	6.9	2.5	186	197	280	25 (1")

### SIGNAL ARMS

Part Number	Description	Hwy. SN	Reach (m)	Weight (kg)	Bolt Square (mm)	BcD (mm)	Bolt Diameter (mm)
102-75-30063C-F1	Type 3C Signal Arm	1836	1.8	18	121	171	16 (5/8")
102-75-30103A-F1	Type 3A Signal Arm	1834	3.0	27	121	171	16 (5/8")
102-75-30143D-F1	Type 3D Signal Arm	1837	4.3	54	121	171	16 (5/8")
102-75-30183E-F1	Type 3E Signal Arm	1838	5.5	68	121	171	16 (5/8")
102-75-30103F-F1	Type 3F Signal Arm	1836A	0.3 - 3.0	9/m	121	171	16 (5/8")

### SIGN ARMS

Part Number	Description	Hwy. SN	Reach (m)	Weight (kg)	Bolt Square (mm)	BcD (mm)	Bolt Diameter (mm)
102-75-30LA12-F1	Type LSA Sign Arm	2095	1.2	22	120	170	16 (5/8")

### DAVITS

Part Number	Description	Hwy. SN	Height (m)	Reach (m)	Weight (kg)	Bolt Square (mm)	BcD (mm)	Bolt Diameter (mm)
102-75-60102A-F1	Type 2A Davit Arm	1832	2.5	2.5	35	121	171	16 (5/8")
102-75-60202C-F1	Type 2C Double Davit Arm	1833	2.5	2.5/2.5	65	121	171	16 (5/8")

## Shafts and Arms

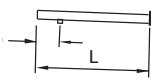
Type 3C Signal Arm  1800mm

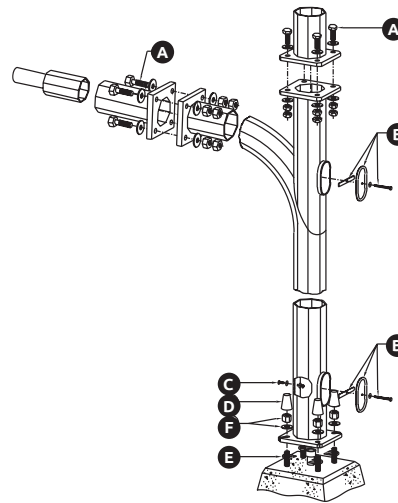
Type 3A Signal Arm  3000mm

Type 3D Signal Arm  4300mm

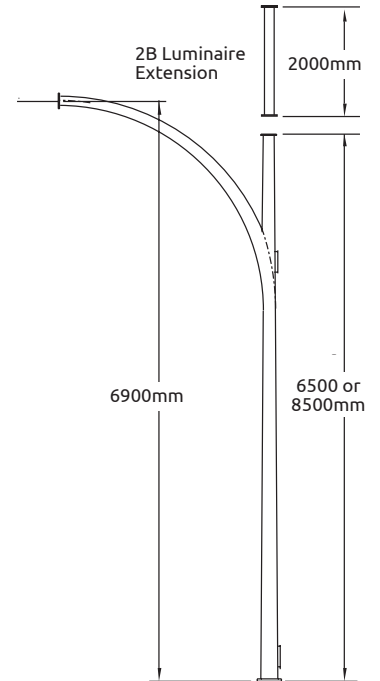
Type 3E Signal Arm  5600mm

Type 3F Signal Arm  300 to 3000mm

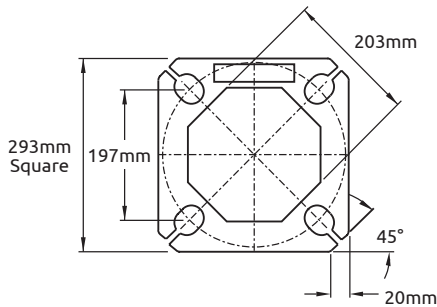
Type LSA Sign Arm 150mm   
Length Varies  
(Maximum 1200mm)



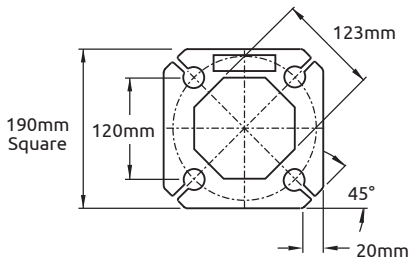
POLE ASSEMBLY DETAIL



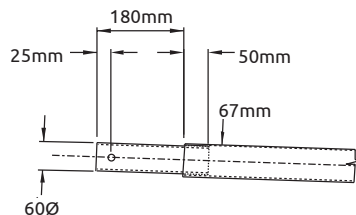
TYPE 1 SHAFT



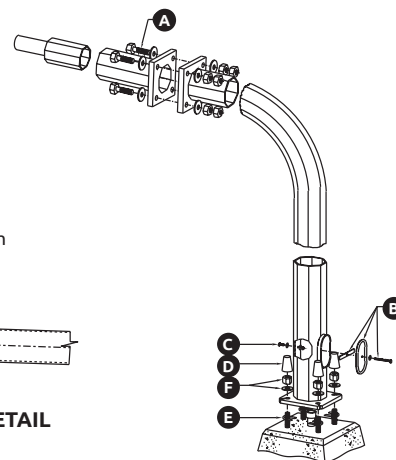
BASE PLATE - PLAN VIEW  
For Type 1 and 3 Shafts



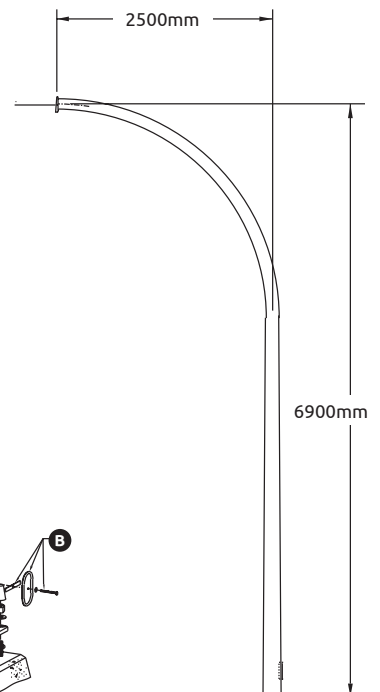
TYPE 1 FLANGE - PLAN VIEW



SIGNAL ARM TENON DETAIL



POLE ASSEMBLY DETAIL



TYPE 3 SHAFT