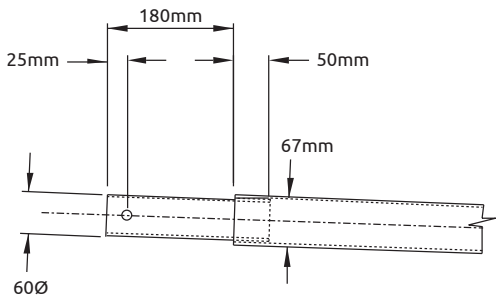
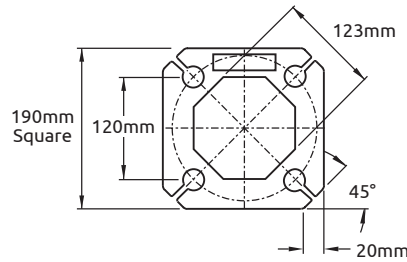


Davits

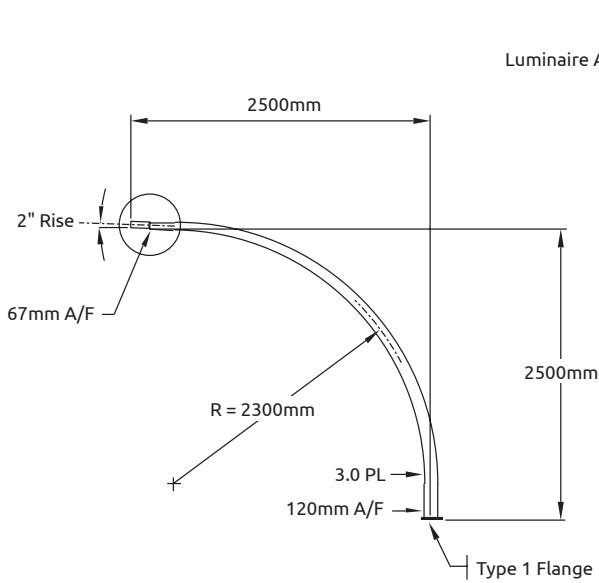
Part Number	Description	Hwy. SN	Height (m)	Reach (m)	Weight (kg)	Bolt Square (mm)	BcD (mm)	Bolt Diameter (mm)
102-75-60102A-F1	Type 2A Davit Arm	1832	2.5	2.5	35	121	171	16 (5/8")
102-75-60202C-F1	Type 2C Double Davit Arm	1833	2.5	2.5/2.5	65	121	171	16 (5/8")



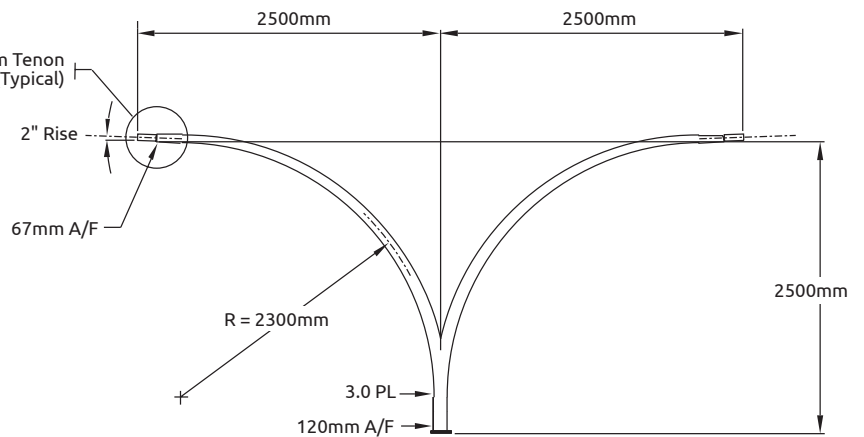
LUMINAIRE ARM TENON DETAIL



TYPE 1 FLANGE - PLAN VIEW



TYPE 2A LUMINAIRE ARM



TYPE 2C LUMINAIRE ARM