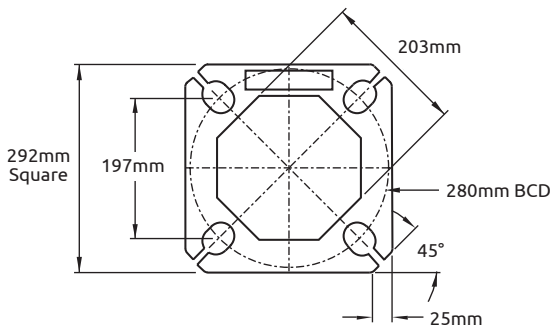


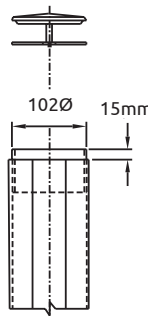
## Shafts

Part Number	Description	Hwy. SN	Height (m)	Weight (kg)	Bolt Square (mm)	BcD (mm)	Anchor Bolt Diameter (mm)
102-75-802504-F1	Type 4 Shaft	1827	2.5	45	197	280	25 (1")
102-75-80404A-F1	Type 4A Shaft	1827A	4.0	66	197	280	25 (1")
102-75-805005-F1	Type 5 Shaft	1828	5.0	77	197	280	25 (1")

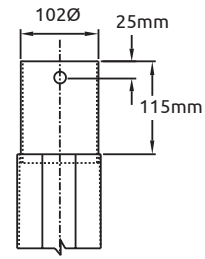


**BASE PLATE - PLAN VIEW**

For Type 4, 4A and 5 Shafts

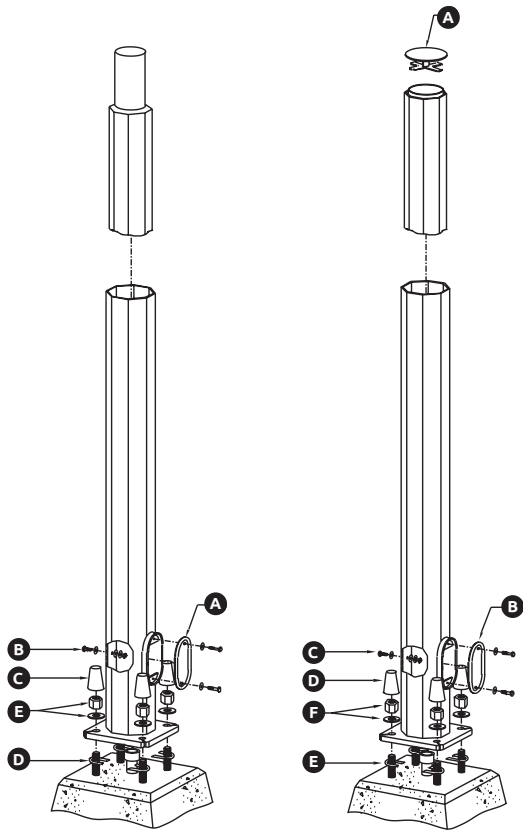


**END CAP DETAIL**

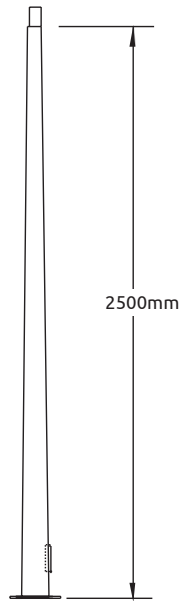


**TENON DETAIL**

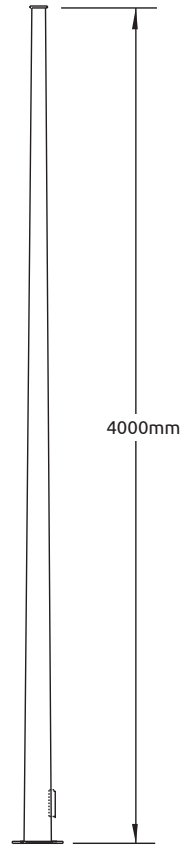
## Shafts



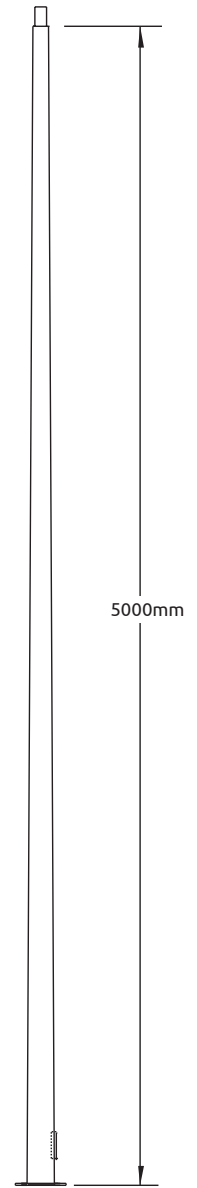
POLE ASSEMBLY DETAIL



TYPE 4 SHAFT



TYPE 4A SHAFT



TYPE 5 SHAFT