

# Shafts, Arms, Extensions and Davits

## SHAFTS

Part Number	Description	Hwy. SN	Height (m)	Weight (kg)	BcD (mm)	Anchor Bolt Diameter (mm)
102-75-70000M-F1	Type M Shaft	2070	6.75	565	450	38

## SIGNAL ARMS

Part Number	Description	Hwy. SN	Reach (m)	Wt. (kg)
102-75-30003L-F1	Type 3L	2053	3.0	97
102-75-30004L-F1	Type 4L	2054	4.0	118
102-75-30005L-F1	Type 5L	2055	5.0	173
102-75-30006L-F1	Type 6L	2056	6.0	201
102-75-30007L-F1	Type 7L	2057	7.0	229
102-75-30008L-F1	Type 8L	2058	8.0	259
102-75-30009L-F1	Type 9L	2059	9.0	284
102-75-30010L-F1	Type 10L	2060	10.0	377
102-75-30011L-F1	Type 11L	2061	11.0	410

## EXTENSIONS

Part Number	Description	Hwy. SN	Height (m)	Wt. (kg)
102-75-50425M-F1	Type 4.25M	2072	4.25	82
102-75-50175M-F1	Type 1.75M	2073	1.75	29
102-75-50025M-F1	Type 0.25M	2074	0.25	10
102-75-20006M-F1	Type 6M	2071	3.0-5.0	45/m

## SIGN ARMS

Part Number	Description	Hwy. SN	Reach (m)	Weight (kg)
102-75-300XM1-F1	Type M1 Sign Arm	2097	3.0 - 11.0	55/m
102-75-300XM2-F1	Type M2 Sign Arm	2098	3.0 - 11.0	65/m

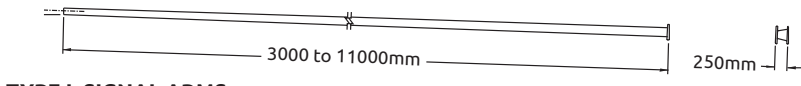
## FA SIGNAL ARM ADAPTOR

Part Number	Description	Hwy. SN	Reach (m)	Weight (kg)
102-75-1042FA-F1	Type FA Signal Arm Flange Adaptor	2080	0.25	75

## DAVITS

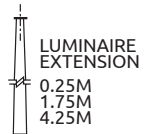
Part Number	Description	Hwy. SN	Height (m)	Reach (m)	Weight (kg)
102-75-60102A-F1	Type 2A Davit Arm	1832	2.5	2.5	35
102-75-60202C-F1	Type 2C Double Davit Arm	1833	2.5	2.5/2.5	65

## Shafts, Arms, Extensions and Davits

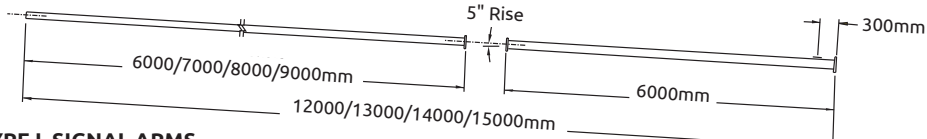


TYPE L SIGNAL ARMS

TYPE 4A SIGNAL ARM ADAPTOR

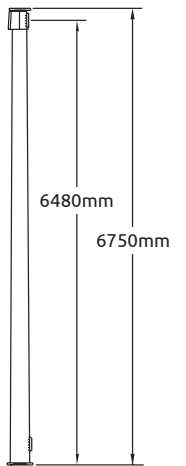


LUMINAIRE EXTENSION  
0.25M  
1.75M  
4.25M

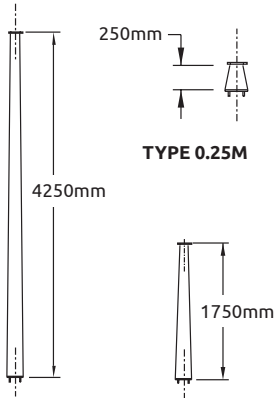


TYPE L SIGNAL ARMS

TYPE 6M SIGNAL ARM EXTENSION



TYPE M SHAFT

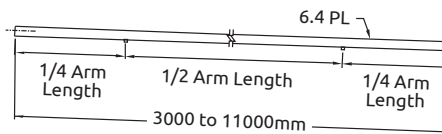


TYPE 0.25M

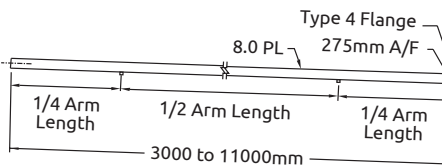
TYPE 1.75M

TYPE 4.25M

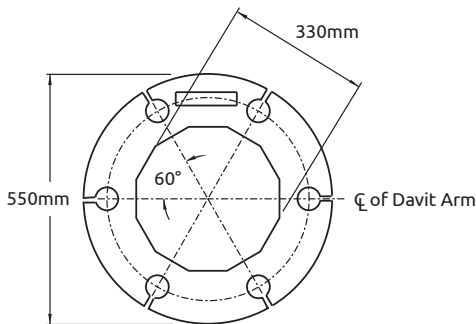
TYPE M1 SIGN ARMS



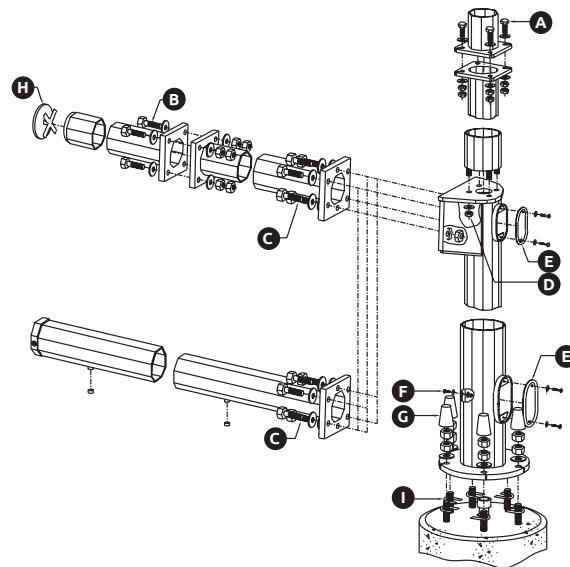
TYPE M2 SIGN ARMS



LUMINAIRE ARM EXTENSION



TYPE M BASE PLATE - PLAN VIEW



POLE ASSEMBLY DETAIL