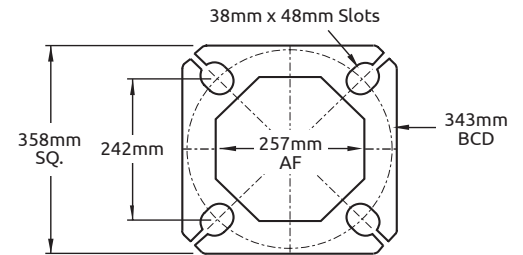


Shafts, Arms, and Extensions

DAVITS

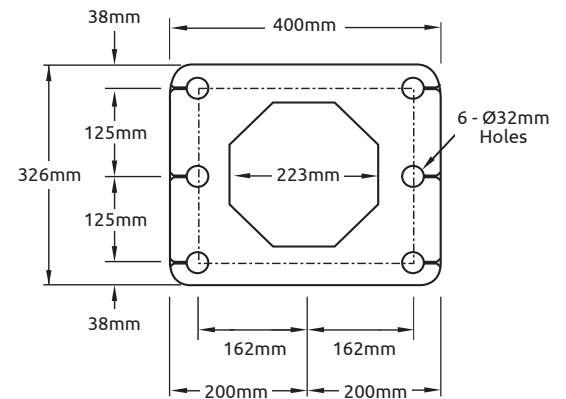
Part Number	Description	Hwy. SN	Height (m)	Reach (m)	Wt. (kg)
102-75-60102A-F1	Type 2A Davit Arm	1832	2.5	2.5	35
102-75-60202C-F1	Type 2C Double Davit Arm	1833	2.5	2.5/2.5	65



BASE PLATE - PLAN VIEW

SHAFTS

Part Number	Description	Height (m)	Wt. (kg)	BcD (mm)	Bolt Diameter (mm)
102-75-70000S-F1	Type S Pole	6.75	386	343	25 (1" Ø DYWIDAG A/Bolts)



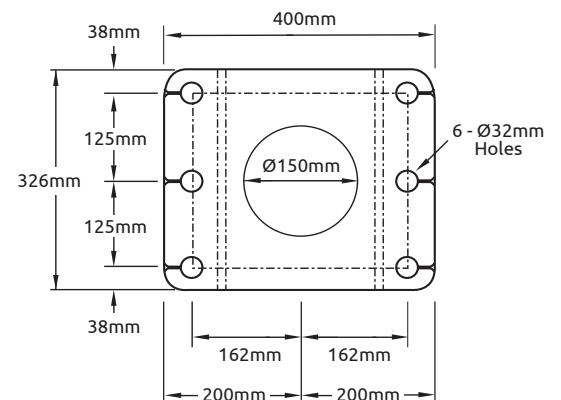
ARM FLANGE

SIGN ARM EXTENSIONS

Part Number	Description	Reach (m)	Weight (kg)
102-75-2003SS-F1	Type 3SS	3.0	135
102-75-2004SS-F1	Type 4SS	4.0	180
102-75-2005SS-F1	Type 5SS	5.0	225

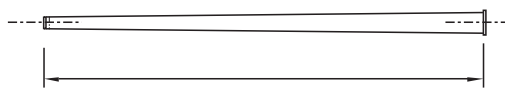
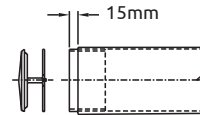
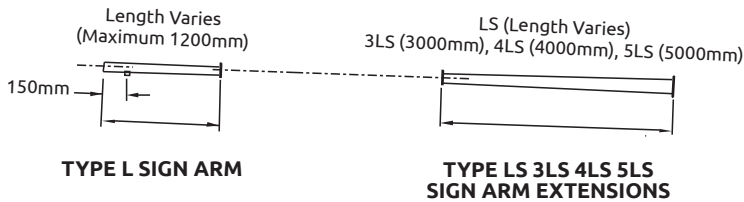
SIGNAL ARMS

Part Number	Description	Reach (m)	Weight (kg)
102-75-30005S-F1	Type 5.0S	5.0	131.8
102-75-30055S-F1	Type 5.5S	5.5	141.8
102-75-30006S-F1	Type 6.0S	6.0	151.8
102-75-30065S-F1	Type 6.5S	6.5	161.8
102-75-30007S-F1	Type 7.0S	7.0	171.8
102-75-30075S-F1	Type 7.5S	7.5	182.0
102-75-30008S-F1	Type 8.0S	8.0	192.2
102-75-30085S-F1	Type 8.5S	8.5	256.2
102-75-30009S-F1	Type 9.0S	9.0	269.6
102-75-30095S-F1	Type 9.5S	9.5	283.0
102-75-30010S-F1	Type 10.0S	10.0	296.4
102-75-30105S-F1	Type 10.5S	10.5	309.7

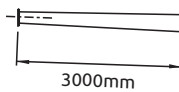


SHAFT FLANGE

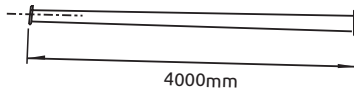
Shafts, Arms and Extensions



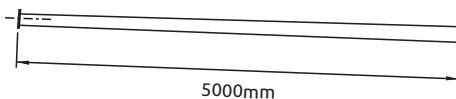
TYPE 5.0S, 5.5S, 6.0S, 6.5S, 7.0S, 7.5S, 8.0S,
8.5S, 9.0S, 9.5S, 10.0S, 10.5S
SIGNAL ARM



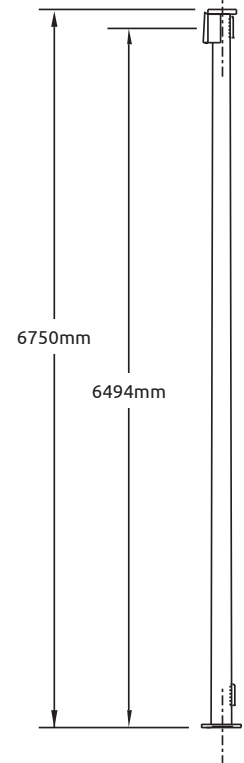
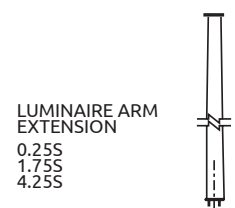
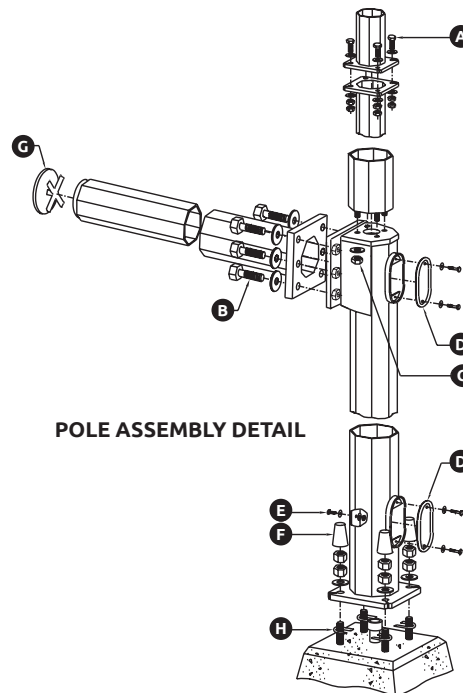
TYPE 3SS EXTENSION



TYPE 4SS EXTENSION



TYPE 5SS EXTENSION



TYPE S SHAFT