

NOVA CELLTECH

SMALL CELL SOLUTIONS FOR OUTDOOR COVERAGE



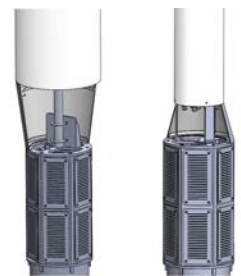
The Nova CellTech Base can be outfitted with a wide array of street lighting and signage options from world-class lighting manufacturers including Sternberg Lighting and GE.

As a light pole, the Nova CellTech's positioning within the city streetscape make it an excellent starting point for the evolving Internet of Things (IoT) and Smart Cities initiatives.

The Nova CellTech Pilot programs have included technology from AT&T Smart Cities Digital Infrastructure with Current, powered by GE's CityIQ™ with the following configurations:

1. Small Cell technology for AT&T featuring Ericsson radios
2. Smart, more efficient LED lighting from GE
3. Live video feed for safety and traffic analysis
4. Measurement of near real-time speed, count, direction of travel, number of lanes provided
5. Parking view API in connection with live video

NOVA CELLTECH 14



FUTUREPROOF ANTENNA MOUNT ALLOWS FOR MULTIPLE ANTENNA SOLUTIONS AS TECHNOLOGY EVOLVES

POLES CAN BE OUTFITTED WITH A VARIETY ITEMS SUCH AS LIGHTS, SECURITY CAMERAS, BANNERS AND MORE

INNOVATIVE TECHNOLOGY DELIVERS RAPID DEPLOYMENT

Fitting everything needed for a small cell deployment installation into a 14" diameter pole is considered a challenge, Nova Poles' CellTech Pole has accomplished this feat with a modular "Card" system that allows for easy installation, maintenance, inspection, Replacement and upgrade without having to modify the entire assembly, simply replace the equipment mounting "Card" and replace your equipment with ease when the time comes.

NOVA CELLTECH BREAKDOWN

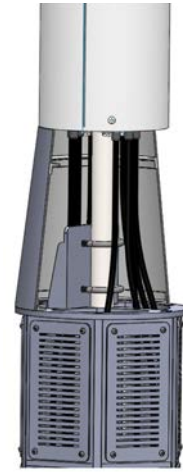
NOVA POLES UNIQUE CELLTECH PLACES THE EQUIPMENT AT GROUND LEVEL WHERE A TECH CAN WALK UP AND THERE IS NOT NEED FOR A MANLIFT OR TRAFFIC LANE BLOCKAGE.



BASE WITH DOORS



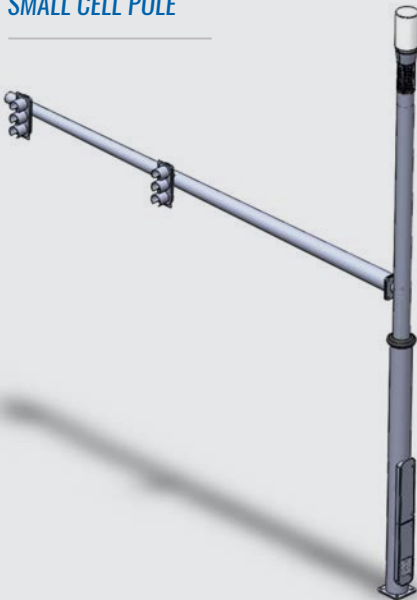
BASE WITHOUT DOORS



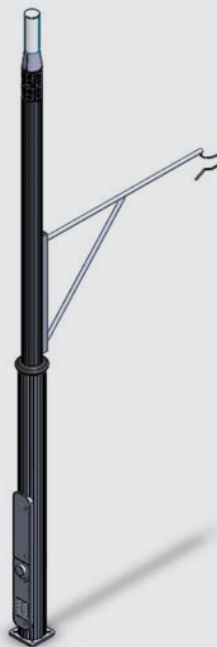
Removable doors, space for an electric meter with the radio equipment, off the shelf antenna mounting solutions without the need for field modifications for antenna mounting. No need to noisy active ventilation, the Nova CellTech uses thermal draft to draw in fresh cool air and vents the warm air at the top of the pole.

THE STARTING POINT FOR A SMART CITY

TRAFFIC LIGHT SMALL CELL POLE

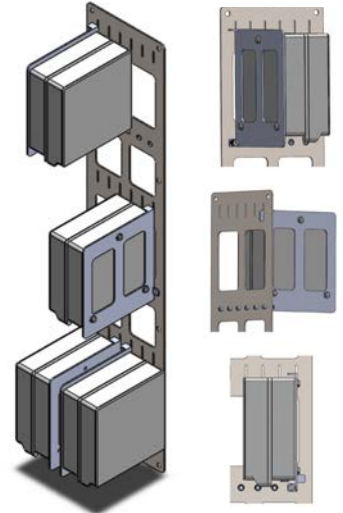


POWER SMALL CELL POLE

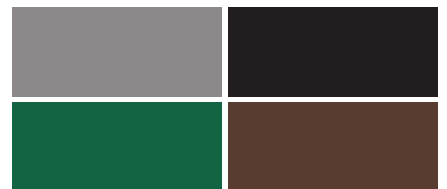


ELECTRIC TRAIN STANDARD SMALL CELL POLE

STATE OF THE ART EQUIPMENT MOUNTING



AVAILABLE IN 4 STOCK COLOURS



Custom colours also available.